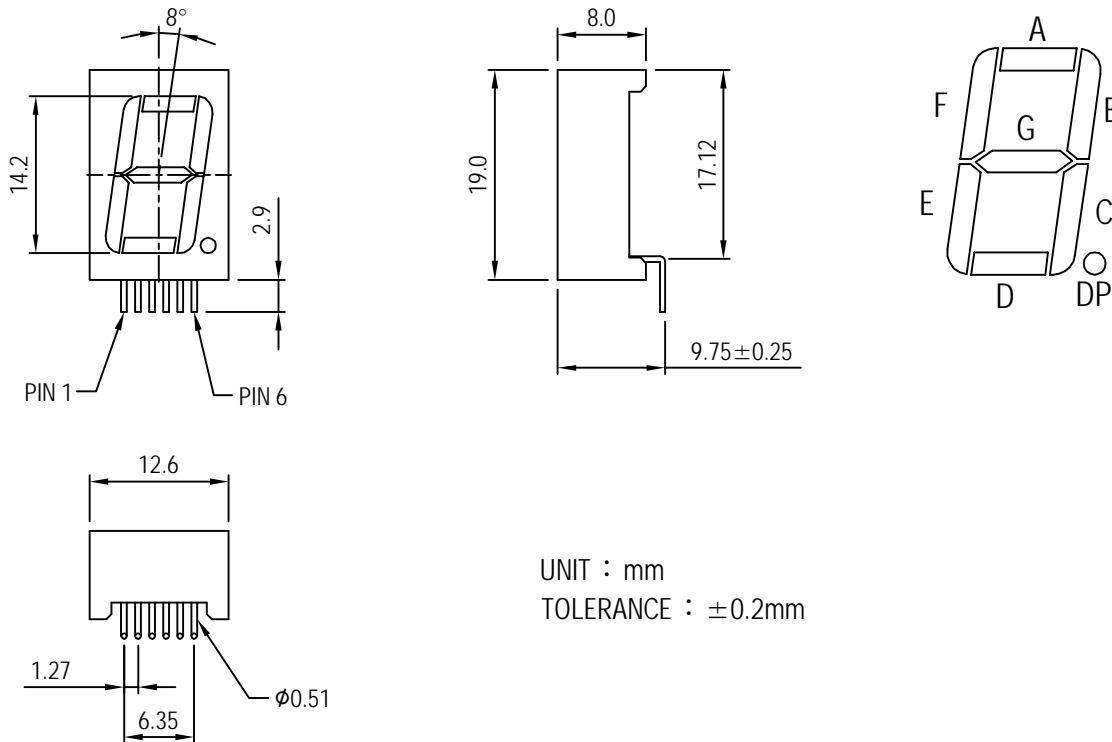
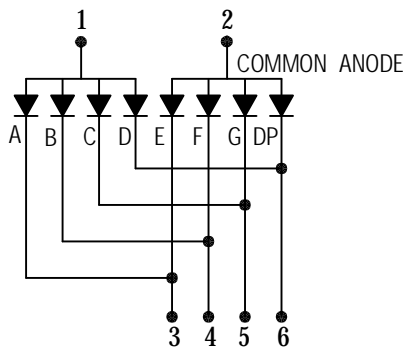


JOINSCAN LEDs

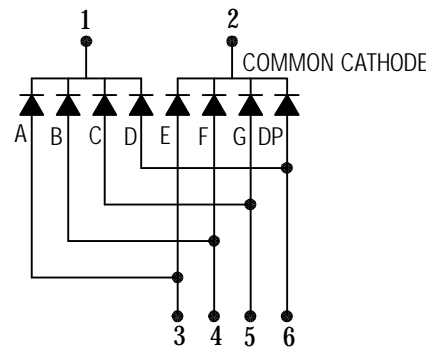
S.56E 0.56 INCH (14.2mm) SINGLE DIGIT ONE LINE 1.27 PITCH 19 X 12.6 X 8mm



A. E5611X-SM3 SERIES



B. F5611X-SM3 SERIES



PIN FUNCTION	COMMON ANODE			COMMON CATHODE			WAVE LENGTH	IR MAX (uA)	VF (V)	LUMINOUS INTENSITY
	A	C	E	B	D	F				
Emitting COLOR	model no.	model no.	model no.	model no.	model no.	model no.	(nm)	VR=5V	IF=20mA	IF=20mA
GaP RED	E5611H-SM3			F5611H-SM3			695	100	2.2	0.4mcd
GaAsP ORANGE RED	E5611O-SM3			F5611O-SM3			630	100	2.0	2.5mcd
GaP GREEN	E5611G-SM3			F5611G-SM3			570	100	2.2	4.5mcd
Gap Yellow	E5611Y-SM3			F5611Y-SM3			600	100	2.2	2.5mcd
GaAlAs SUPER RED	E5611RS-SM3			F5611RS-SM3			650	100	1.8	3.0mcd
GaAlAs ULTRA RED										
GaAlAs YELLOW GREEN										
Sic BLUE	E5611SF-SM3			F5611SF-SM3			465±5	100	3.6	5.0mcd
ZnSe WHITE										

Model No. -BW BLACK SURFACE WHITE SEGMENT
 -BR BLACK SURFACE RED SEGMENT
 -GW GRAY SURFACE WHITE SEGMENT

Remark :

1. Typical forward current 10-20mA, MAXimum forward current 25mA
2. Solder Temperature 1.6mm Below Seating plane less 5 seconds at 260°C +5°C -30°C
3. Peak Forward current Per Dice, Duty cycle 1/10, 10KHZ, MAXimum 120mA
4. Operating Temperature From -25°C to 85°C
5. RoHS COMPLIANT

REV : B