

JOINSCAN LEDs

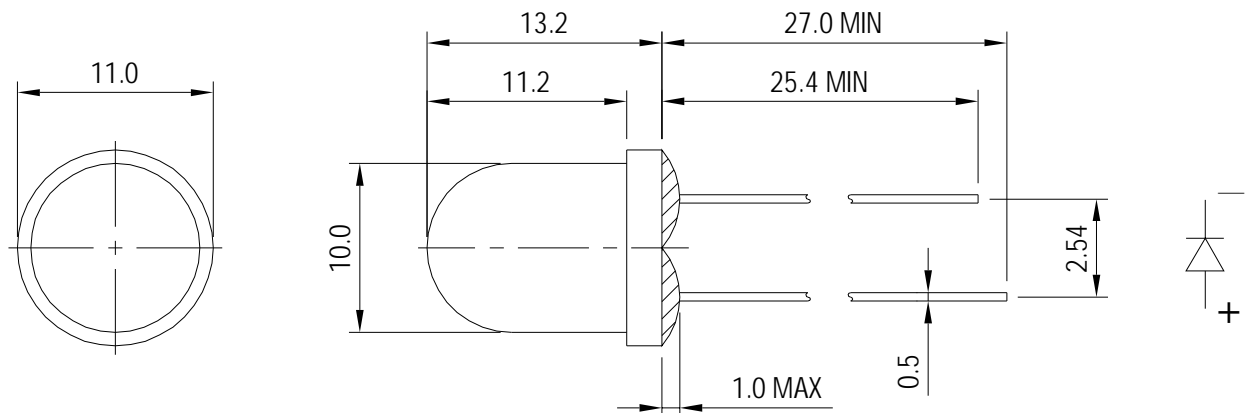
LED LAMP — ϕ 10.0mm SERIES	
MODEL NO.	L1030D
EMITTING COLOR	ORANGE
DICE	GaAsP/GaP
LENS	ORANGE DIFFUSION

ABSOLUTE MAXIMUM RATINGS (最大極限值) TA = 25°C

PARAMETER	SYMBOL	RATING	UNIT
POWER DISSIPATION	P AD	40.0	mW
DERATING LINEAR FROM 25°C		0.27	m / °C
CONTINUOUS FORWARD CURRENT	I AF	20.0	mA
PEAK FORWARD CURRENT (DUTY CYCLE 1 / 10 , 10KHZ)	I PF	90.0	mA
REVERSE VOLTAGE	V R	5.0	V
OPERATING TEMPERATURE	T OPR	-25°C TO + 85°C	
STORAGE TEMPERATURE	T STG	-25°C TO + 85°C	
SOLDER TEMPERATURE 1 / 16 INCH BELOW SEATING PLANE FOR 5 SECONDS AT 230°C OR 3 SECONDS AT 250°C			

ELECTRO - OPTICAL CHARACTERISTICS (電性) TA = 25°C

PARAMETER	SYMBOL	CONDITION	MIN	TYP	MAX	UNIT
FORWARD VOLTAGE	V F	I F = 20mA	—	2.0	—	V
LUMINOUS INTENSITY	I V	I F = 20mA	—	25.0	—	mcd
PEAK EMISSION WAVELENGTH	λ P	I F = 20mA	—	630	—	nm
REVERSE CURRENT	I P	I F = 5mA	—	—	100	μ A



UNIT : mm
TOLERANCE : ± 0.2 mm
REV : B