

# JOINSCAN LEDs

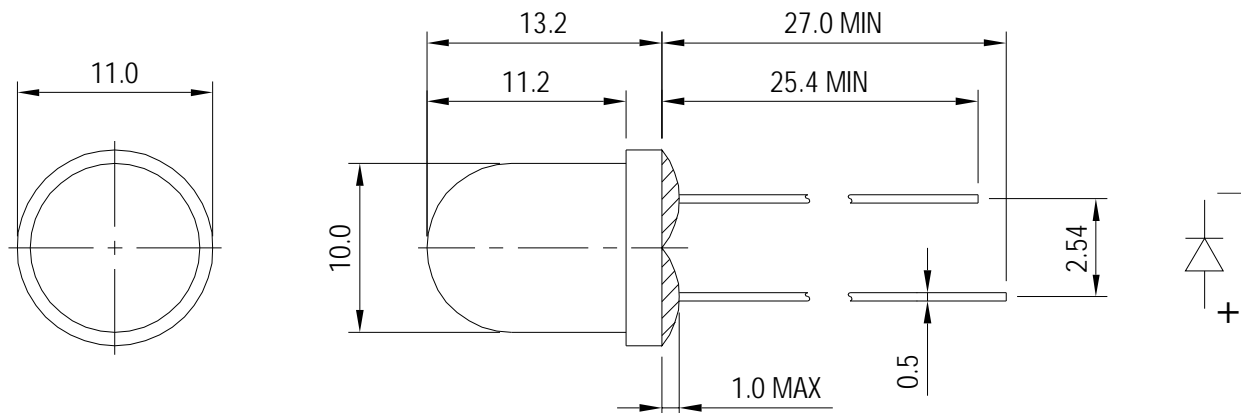
LED LAMP — $\phi$ 10.0mm SERIES	
MODEL NO.	L1033CZ
EMITTING COLOR	SUPER WHITE
DICE	ZnSe
LENS	Water Clear

## ABSOLUTE MAXIMUM RATINGS (最大極限值) TA = 25°C

PARAMETER	SYMBOL	RATING	UNIT
POWER DISSIPATION	P AD	72.0	mW
DERATING LINEAR FROM 25°C		0.27	m / °C
CONTINUOUS FORWARD CURRENT	I AF	20.0	mA
PEAK FORWARD CURRENT (DUTY CYCLE 1 / 10 , 10KHZ)	I PF	90.0	mA
REVERSE VOLTAGE	V R	5.0	V
OPERATING TEMPERATURE	T OPR	-25°C TO + 85°C	
STORAGE TEMPERATURE	T STG	-25°C TO + 85°C	
SOLDER TEMPERATURE 1 / 16 INCH BELOW SEATING PLANE FOR 5 SECONDS AT 230°C OR 3 SECONDS AT 250°C			

## ELECTRO - OPTICAL CHARACTERISTICS (電性) TA = 25°C

PARAMETER	SYMBOL	CONDITION	MIN	TYP	MAX	UNIT
FORWARD VOLTAGE	V F	I F = 20mA	—	3.6	—	V
LUMINOUS INTENSITY	I V	I F = 20mA	—	3000	—	mcd
PEAK EMISSION WAVELENGTH	$\lambda$ P	I F = 20mA	—	470~590	—	nm
REVERSE CURRENT	I P	I F = 5mA	—	—	100	$\mu$ A



UNIT : mm  
TOLERANCE :  $\pm 0.2$ mm  
REV : B