

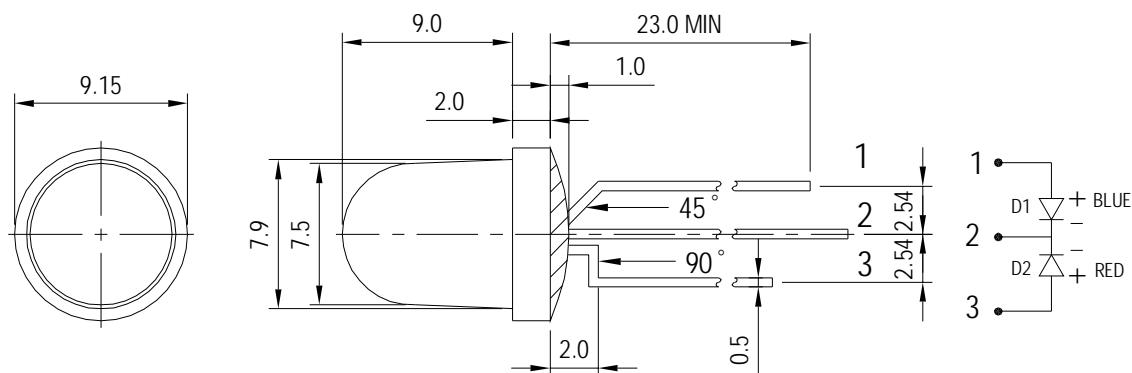
JOINSCAN LEDs

∅ 8.0 mm 3PINs DUAL COLOR DIFFUSION TYPE LED LAMP	
MODEL NO.	L8056MX
EMITTING COLOR	BLUE / RED
DICE	SiC / GaAsP/GaP
LENS	DIFFUSION TYPE

ABSOLUTE MAXIMUM RATINGS (最大極限值)				
TA = 25°C				
PARAMETER	SYMBOL	RATING	UNIT	
D1 BLUE POWER DISSIPATION	P AD	72.0	mW	
D2 RED POWER DISSIPATION	P AD	40.0	mW	
DERATING LINEAR FROM 25°C		0.27	m / °C	
D1 BLUE CONTINUOUS FORWARD CURRENT	I AF	20.0	mA	
D2 RED CONTINUOUS FORWARD CURRENT	I AF	20.0	mA	
PEAK FORWARD CURRENT (DUTY CYCLE 1 / 10 , 10KHZ)	I PF	90.0	mA	
REVERSE VOLTAGE	V R	5.0	V	
OPERATING TEMPERATURE	T OPR	-25°C TO + 85°C		
STORAGE TEMPERATURE	T STG	-25°C TO + 85°C		
SOLDER TEMPERATURE 1/16 INCH BELOW SEATING PLANE FOR 5 SECONDS AT 230 °C OR 3 SECONDS AT 250 °C				

D1 BLUE ELECTRO - OPTICAL CHARACTERISTICS (電性)						
TA = 25°C						
PARAMETER	SYMBOL	CONDITION	MIN	TYP	MAX	UNIT
FORWARD VOLTAGE	V F	IF = 20mA	—	3.6	—	V
LUMINOUS INTENSITY	I V	IF = 20mA	—	50	—	mcd
PEAK EMISSION WAVELENGTH	λ P	IF = 20mA	—	470	—	nm
REVERSE CURRENT	I R	VR = 5V	—	—	100	μA

D2 RED ELECTRO - OPTICAL CHARACTERISTICS (電性)						
TA = 25°C						
PARAMETER	SYMBOL	CONDITION	MIN	TYP	MAX	UNIT
FORWARD VOLTAGE	V F	IF = 20mA	—	1.8	—	V
LUMINOUS INTENSITY	I V	IF = 20mA	—	50	—	mcd
PEAK EMISSION WAVELENGTH	λ P	IF = 20mA	—	635	—	nm
REVERSE CURRENT	I R	VR = 5V	—	—	100	μA



UNIT : mm
TOLERANCE : ± 0.2mm
REV : B