

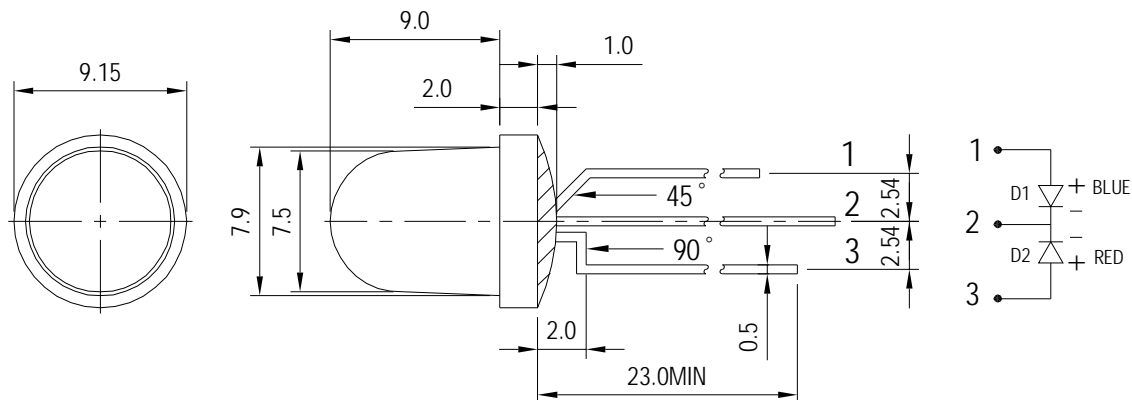
# JOINSCAN LEDs

| ∅ 8.0 mm 3PINs DUAL COLOR CLEAR TYPE LED LAMP |                 |
|---|-----------------|
| MODEL NO.                                     | L8056CX+        |
| EMITTING COLOR                                | BLUE / RED      |
| DICE  | SiC / GaAsP/GaP |
| LENS  | CLEAR TYPE      |

| ABSOLUTE MAXIMUM RATINGS ( 最大極限值 )  |        |                   |        |  |
|---|--------|-------------------|--------|--|
| TA = 25 °C  |        |                   |        |  |
| PARAMETER   | SYMBOL | RATING            | UNIT   |  |
| D1 BLUE POWER DISSIPATION   | P AD   | 72.0              | mW     |  |
| D2 RED POWER DISSIPATION  | P AD   | 40.0              | mW     |  |
| DERATING LINEAR FROM 25 °C  |        | 0.27              | m / °C |  |
| D1 BLUE CONTINUOUS FORWARD CURRENT  | I AF   | 20.0              | mA     |  |
| D2 RED CONTINUOUS FORWARD CURRENT   | I AF   | 20.0              | mA     |  |
| PEAK FORWARD CURRENT ( DUTY CYCLE 1 / 10 , 10KHZ )  | I PF   | 90.0              | mA     |  |
| REVERSE VOLTAGE   | V R    | 5.0               | V      |  |
| OPERATING TEMPERATURE   | T OPR  | -25 °C TO + 85 °C |        |  |
| STORAGE TEMPERATURE   | T STG  | -25 °C TO + 85 °C |        |  |
| SOLDER TEMPERATURE 1/16 INCH BELOW SEATING PLANE FOR 5 SECONDS AT 230 °C OR 3 SECONDS AT 250 °C |        |                   |        |  |

| D1 BLUE ELECTRO - OPTICAL CHARACTERISTICS ( 電性 ) |        |           |     |     |     |      |
|--|--------|-----------|-----|-----|-----|------|
| TA = 25 °C                                       |        |           |     |     |     |      |
| PARAMETER  | SYMBOL | CONDITION | MIN | TYP | MAX | UNIT |
| FORWARD VOLTAGE                                  | V F    | IF = 20mA | —   | 3.6 | —   | V    |
| LUMINOUS INTENSITY                               | I V    | IF = 20mA | —   | 150 | —   | mcd  |
| PEAK EMISSION WAVELENTH                          | λ P    | IF = 20mA | —   | 470 | —   | nm   |
| REVERSE CURRENT                                  | I R    | VR = 5V   | —   | —   | 100 | μA   |

| D2 RED ELECTRO - OPTICAL CHARACTERISTICS ( 電性 ) |        |           |     |     |     |      |
|---|--------|-----------|-----|-----|-----|------|
| TA = 25 °C                                      |        |           |     |     |     |      |
| PARAMETER                                       | SYMBOL | CONDITION | MIN | TYP | MAX | UNIT |
| FORWARD VOLTAGE                                 | V F    | IF = 20mA | —   | 1.8 | —   | V    |
| LUMINOUS INTENSITY                              | I V    | IF = 20mA | —   | 100 | —   | mcd  |
| PEAK EMISSION WAVELENTH                         | λ P    | IF = 20mA | —   | 635 | —   | nm   |
| REVERSE CURRENT                                 | I R    | VR = 5V   | —   | —   | 100 | μA   |



UNIT : mm  
TOLERANCE : ± 0.2mm  
REV : B