

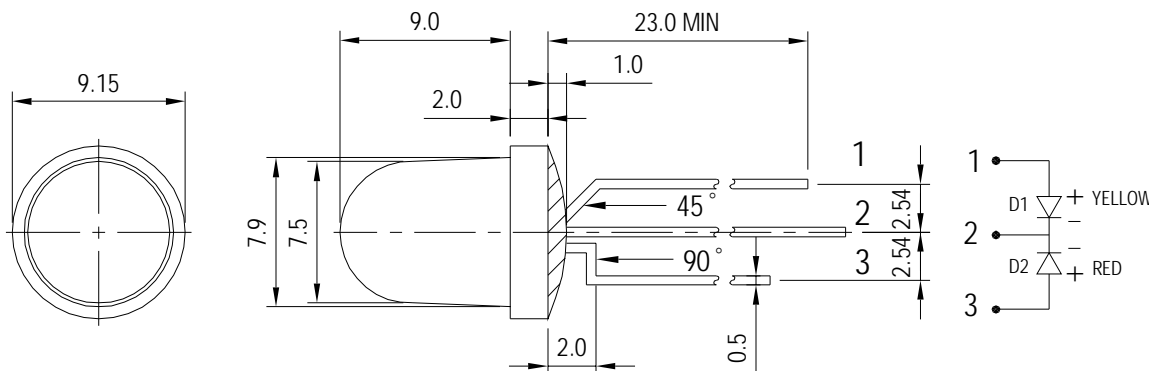
# JOINSCAN LEDs

|   |                 |
|---|-----------------|
| Ø 8.0 mm 3PINs DUAL COLOR DIFFUSION TYPE LED LAMP |                 |
| MODEL NO.   | L8052MX         |
| EMITTING COLOR                                    | YELLOW / RED    |
| DICE  | GaP / GaAsP/GaP |
| LENS  | DIFFUSION TYPE  |

| ABSOLUTE MAXIMUM RATINGS ( 最大極限值 )  |        |                 |        |
|---|--------|-----------------|--------|
| TA = 25°C   |        |                 |        |
| PARAMETER   | SYMBOL | RATING          | UNIT   |
| D1 YELLOW POWER DISSIPATION   | P AD   | 44.0            | mW     |
| D2 RED POWER DISSIPATION  | P AD   | 40.0            | mW     |
| DERATING LINEAR FROM 25 °C  |        | 0.27            | m / °C |
| D1 YELLOW CONTINUOUS FORWARD CURRENT  | I AF   | 20.0            | mA     |
| D2 RED CONTINUOUS FORWARD CURRENT   | I AF   | 20.0            | mA     |
| PEAK FORWARD CURRENT ( DUTY CYCLE 1 / 10 , 10KHZ )  | I PF   | 90.0            | mA     |
| REVERSE VOLTAGE   | V R    | 5.0             | V      |
| OPERATING TEMPERATURE   | T OPR  | -25°C TO + 85°C |        |
| STORAGE TEMPERATURE   | T STG  | -25°C TO + 85°C |        |
| SOLDER TEMPERATURE 1/16 INCH BELOW SEATING PLANE FOR 5 SECONDS AT 230 °C OR 3 SECONDS AT 250 °C |        |                 |        |

| D1 YELLOW ELECTRO - OPTICAL CHARACTERISTICS ( 電性 ) |             |           |     |     |     |         |
|--|-------------|-----------|-----|-----|-----|---------|
| TA = 25°C  |             |           |     |     |     |         |
| PARAMETER  | SYMBOL      | CONDITION | MIN | TYP | MAX | UNIT    |
| FORWARD VOLTAGE                                    | V F         | IF = 20mA | —   | 2.0 | —   | V       |
| LUMINOUS INTENSITY                                 | I V         | IF = 20mA | —   | 15  | —   | mcd     |
| PEAK EMISSION WAVELENGTH                           | $\lambda P$ | IF = 20mA | —   | 600 | —   | nm      |
| REVERSE CURRENT                                    | I R         | VR = 5V   | —   | —   | 100 | $\mu A$ |

| D2 RED ELECTRO - OPTICAL CHARACTERISTICS ( 電性 ) |             |           |     |     |     |         |
|---|-------------|-----------|-----|-----|-----|---------|
| TA = 25°C                                       |             |           |     |     |     |         |
| PARAMETER                                       | SYMBOL      | CONDITION | MIN | TYP | MAX | UNIT    |
| FORWARD VOLTAGE                                 | V F         | IF = 20mA | —   | 1.8 | —   | V       |
| LUMINOUS INTENSITY                              | I V         | IF = 20mA | —   | 50  | —   | mcd     |
| PEAK EMISSION WAVELENGTH                        | $\lambda P$ | IF = 20mA | —   | 635 | —   | nm      |
| REVERSE CURRENT                                 | I R         | VR = 5V   | —   | —   | 100 | $\mu A$ |



UNIT : mm  
TOLERANCE : ± 0.2mm  
REV : B