

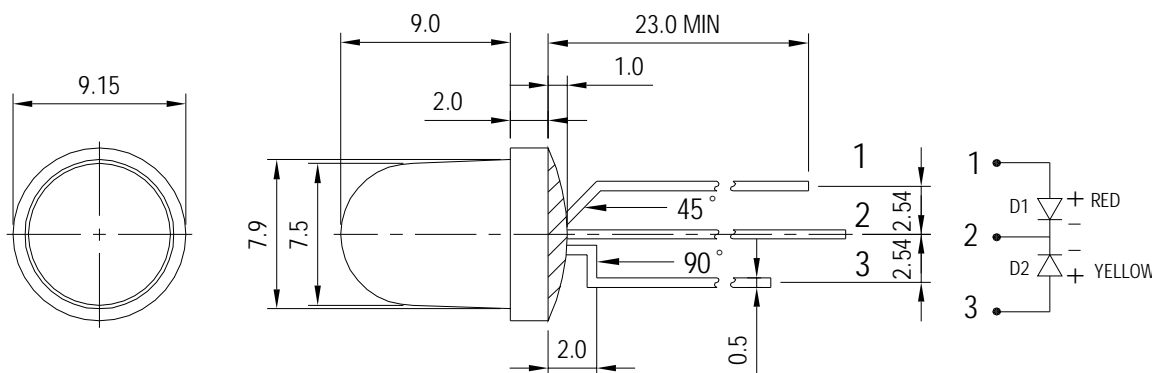
JOINSCAN LEDs

Ø 8.0 mm 3PINs DUAL COLOR CLEAR TYPE LED LAMP	
MODEL NO.	L8052C
EMITTING COLOR	RED / YELLOW
DICE	GaAsP/GaP / GaP
LENS	CLEAR TYPE

ABSOLUTE MAXIMUM RATINGS (最大極限值)				
TA = 25 °C				
PARAMETER	SYMBOL	RATING	UNIT	
D1 RED POWER DISSIPATION	P AD	40.0	mW	
D2 YELLOW POWER DISSIPATION	P AD	44.0	mW	
DERATING LINEAR FROM 25 °C		0.27	m / °C	
D1 RED CONTINUOUS FORWARD CURRENT	I AF	20.0	mA	
D2 YELLOW CONTINUOUS FORWARD CURRENT	I AF	20.0	mA	
PEAK FORWARD CURRENT (DUTY CYCLE 1 / 10 , 10KHZ)		90.0	mA	
REVERSE VOLTAGE		5.0	V	
OPERATING TEMPERATURE		-25 °C TO + 85 °C		
STORAGE TEMPERATURE		-25 °C TO + 85 °C		
SOLDER TEMPERATURE 1/16 INCH BELOW SEATING PLANE FOR 5 SECONDS AT 230 °C OR 3 SECONDS AT 250 °C				

D1 RED ELECTRO - OPTICAL CHARACTERISTICS (電性)						
TA = 25 °C						
PARAMETER	SYMBOL	CONDITION	MIN	TYP	MAX	UNIT
FORWARD VOLTAGE	V F	I F = 20mA	—	1.8	—	V
LUMINOUS INTENSITY	I V	I F = 20mA	—	100	—	mcd
PEAK EMISSION WAVELENGTH	λP	I F = 20mA	—	635	—	nm
REVERSE CURRENT	I R	VR = 5V	—	—	100	μA

D2 YELLOW ELECTRO - OPTICAL CHARACTERISTICS (電性)						
TA = 25 °C						
PARAMETER	SYMBOL	CONDITION	MIN	TYP	MAX	UNIT
FORWARD VOLTAGE	V F	I F = 20mA	—	2.0	—	V
LUMINOUS INTENSITY	I V	I F = 20mA	—	37	—	mcd
PEAK EMISSION WAVELENGTH	λP	I F = 20mA	—	600	—	nm
REVERSE CURRENT	I R	VR = 5V	—	—	100	μA



UNIT : mm
TOLERANCE : ± 0.2mm
REV : B