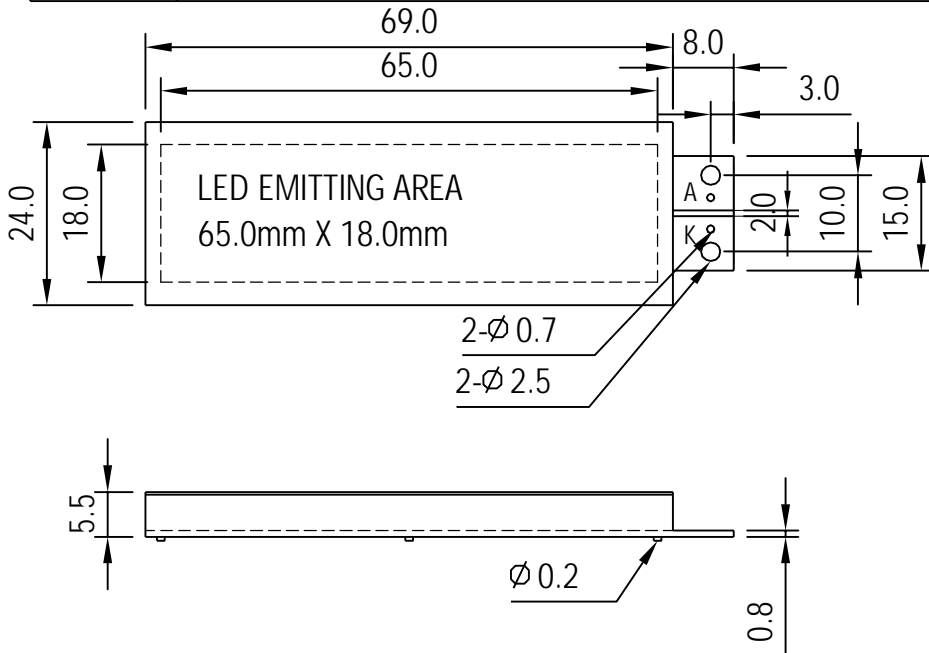
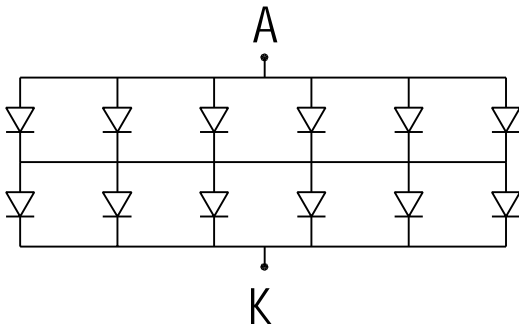


JOINSCAN LEDs

BL6912 69.0X24.0mm BACKLIGHT BOTTOM LIGHTING TYPE (12 LED CHIPS)



BL6912 SERIES



UNIT : mm

TOLERANCE : ± 0.2 mm

BL6912 SERIES							
EMITTING COLOR	RED	GREEN	YELLOW	BLUE			
MODEL NO.	BL6912RS	BL6912GS	BL6912SY	BL6912SF			
DICE	GaALAs	Gap	AlGaInP	SIC			
ABSOLUTE MAXIMUM RATINGS TA = 25°C							
PARAMETER	SYMBOL	RATING				UNIT	
POWER DISSIPATION	P AD	RED	GREEN	YELLOW	BLUE	W	
CONTINUOUS FORWARD CURRENT	I AF	150	120	90	90	mA	
REVERSE VOLTAGE	V R	8.0	8.0	8.0	8.0	V	
OPERATING TEMPERATURE	T OPR	-10°C TO +160°C					
STORAGE TEMPERATURE	T STG	-20°C TO +70°C					
ELECTRO-OPTICAL CHARACTERISTICS TA = 25°C							
PARAMETER	SYMBOL	CONDITION	TYP				UNIT
FORWARD VOLTAGE	V F	I F = 60 mA	RED	GREEN	YELLOW	BLUE	V
LUMINOUS INTENSITY (SURFACE)	I V	I F = 60 mA	1.25 / 120	1.4 / 120	1.4 / 120	1.4 / 120	mcd / LUX
PEAK EMISSION WAVELENGTH	λP	I F = 60 mA	655	573	590	465 \pm 5	nm
REVERSE CURRENT	I R	V R = 8 V	MAX 0.6	MAX 0.6	MAX 0.6	MAX 0.6	mA

RoHS COMPLIANCE

REV:B