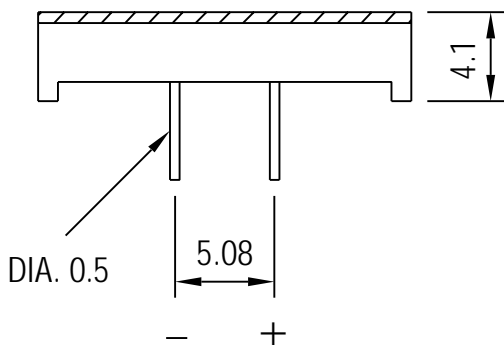
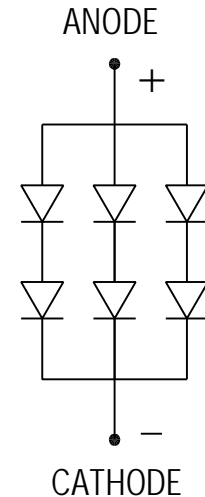
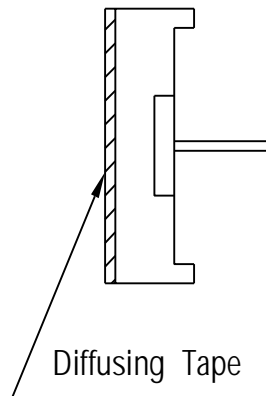
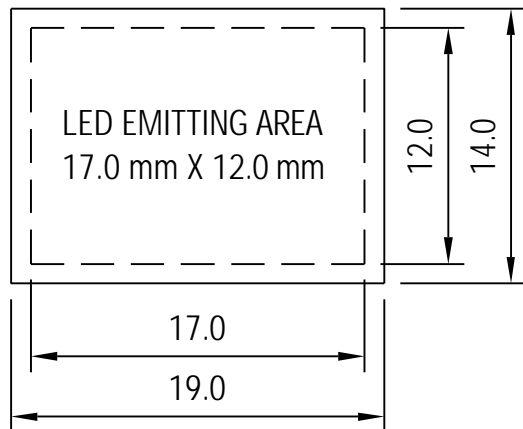


JOINSKAN LEDs

BL1914 19.0X14.0mm BACKLIGHT BOTTOM LIGHTING TYPE (6 LED CHIPS)



UNIT : mm
TOLERANCE : ± 0.2 mm

BL19146 SERIES

MODEL NO.	Emitting Color	V_F			λ_p typ (nm)	$\Delta\lambda$ typ (nm)	I_v	
		I_F /CHIP (mA)	typ (v)	max (v)			I_F (mA)	typ (mcd)
BL19146UG	Super Bright Green	30	4.6	4.8	574	20	20 / Chip	5.0/20mm ²
BL19146G	Green	30	4.3	4.5	573	30	20 / Chip	1.5/20mm ²
BL19146Y	Yellow	30	4.4	4.7	590	40	20 / Chip	2.0/20mm ²
BL19146RS	Red	30	4.0	4.4	650	40	20 / Chip	3.0/20mm ²
BL19146SF	Super Bright Blue	30	6.8	7.2	465 \pm 5	40	20 / Chip	1.5/20mm ²

RoHS COMPLIANCE

REV:B