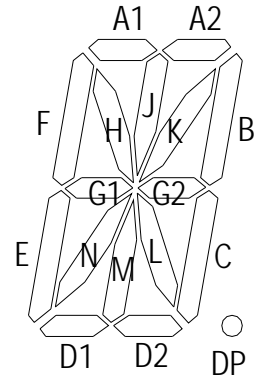
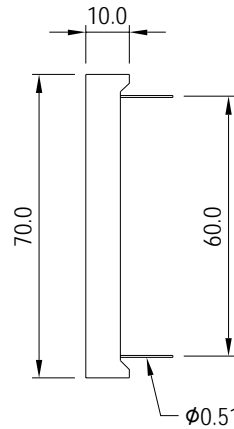
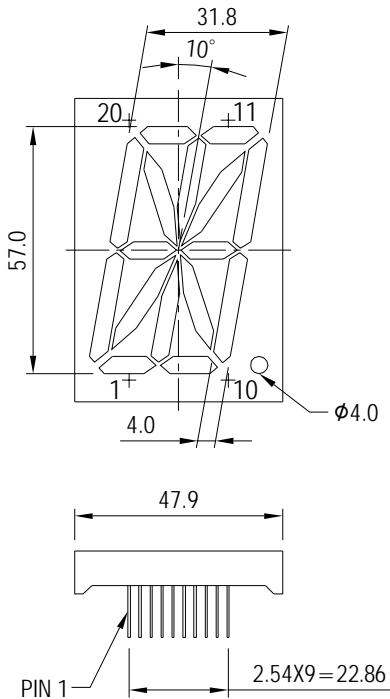


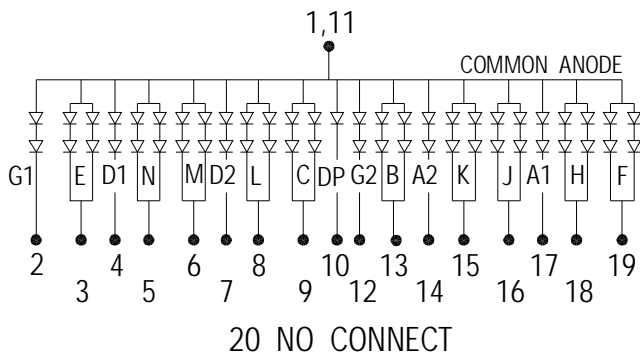
JOINSCAN LEDs

S2.3K 2.3 INCH (57.0mm) SINGLE DIGIT ALPHANUMERIC DISPLAY 70.0 X 47.9 X 10.0mm

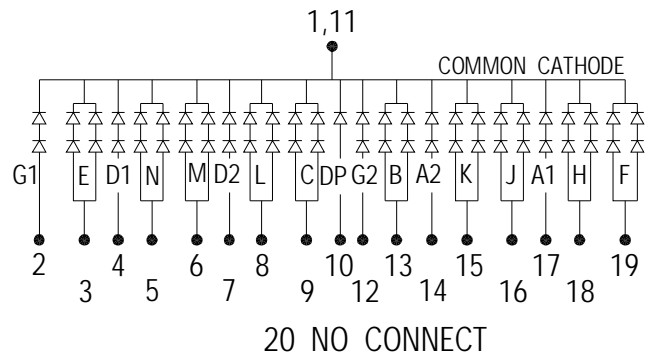


UNIT : mm
TOLERANCE : ±0.2mm

A. A231K SERIES



B. C231K SERIES



PIN FUNCTION	COMMON ANODE			COMMON CATHODE			WAVE LENGTH (nm)	IR MAX (uA) VR=5V	VF (V) IF=20mA	LUMINOUS INTENSITY IF=20mA
	A	C	E	B	D	F				
Emitting COLOR	model no.	model no.	model no.	model no.	model no.	model no.				
GaP RED										
GaAsP ORANGE RED	A231KO			C231KO			635	100	4.0	4.0mcd
GaP GREEN	A231KGS			C231KGS			570	100	4.4	10mcd
Gap Yellow	A231KYS			C231KYS			600	100	4.4	10mcd
GaAIAs SUPER RED	A231KRS			C231KRS			650	100	3.6	10mcd
GaAIAs ULTRA RED										
GaAIAs YELLOW GREEN										
Sic BLUE	A231KSF			C231KSF			465±5	100	7.2	35mcd
ZnSe WHITE										

Model No. -BW BLACK SURFACE WHITE SEGMENT
-BR BLACK SURFACE RED SEGMENT
-GW GRAY SURFACE WHITE SEGMENT

Remark :

1. Typical forward current 10-20mA , MAXimum forward current 25mA
2. Solder Temperature 1.6mm Below Seating plane less 5 seconds at 260°C +5°C -30°C
3. Peak Forward current Per Dice , Duty cycle 1/10 , 10KHZ , MAXimum 120mA
4. Operating Temperature From -25°C to 85°C
5. RoHS COMPLIANT

REV : C