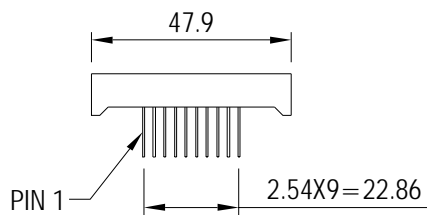
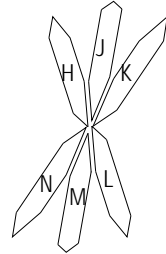
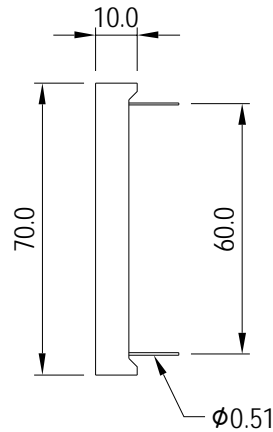
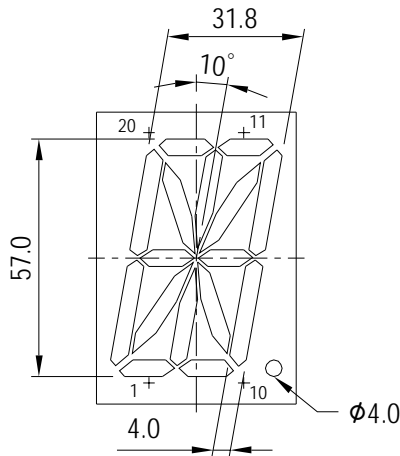


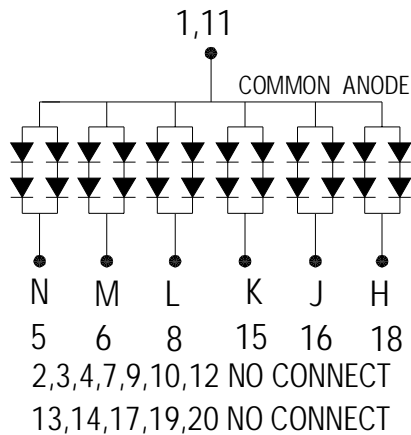
JOINSCAN LEDs

S2.3K-1 2.3 INCH (57.0mm) SINGLE DIGIT ARROW TYPE (UP / DOWN) DISPLAY 70.0 X 47.9 X 10.0mm

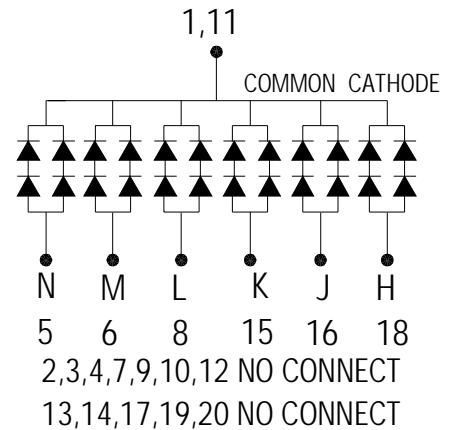


UNIT : mm
TOLERANCE : ±0.2mm

A. A241K SERIES



B. C241K SERIES



PIN FUNCTION	COMMON ANODE			COMMON CATHODE			WAVE LENGTH (nm)	IR MAX (uA) VR=5V	VF (V) IF=20mA	LUMINOUS INTENSITY IF=20mA
	A	C	E	B	D	F				
Emitting COLOR	model no.	model no.	model no.	model no.	model no.	model no.				
GaP RED	A241KH			C241KH			695	100	4.4	0.6mcd
GaAsP ORANGE RED	A241KO			C241KO			635	100	4.0	4.0mcd
GaP GREEN	A241KG			C241KG			570	100	4.4	4.5mcd
Gap Yellow	A241KY			C241KY			600	100	4.4	4.0mcd
GaAlAs SUPER RED	A241KRS			C241KRS			650	100	3.6	8.0mcd
GaAlAs ULTRA RED										
GaAlAs YELLOW GREEN										
Sic BLUE	A241KSF			C241KSF			465±5	100	7.2	35mcd
ZnSe WHITE										

Model No. -BW BLACK SURFACE WHITE SEGMENT
-BR BLACK SURFACE RED SEGMENT
-GW GRAY SURFACE WHITE SEGMENT

Remark :

1. Typical forward current 10~20mA, MAXimum forward current 25mA
2. Solder Temperature 1.6mm Below Seating plane less 5 seconds at 260°C +5°C -30°C
3. Peak Forward current Per Dice, Duty cycle 1/10, 10KHZ, MAXimum 120mA
4. Operating Temperature From -25°C to 85°C
5. RoHS COMPLIANT