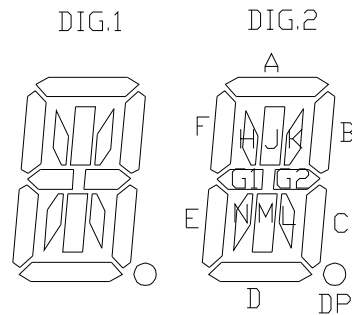
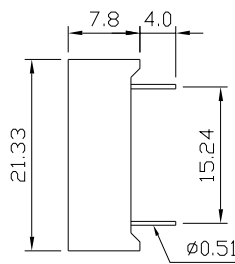
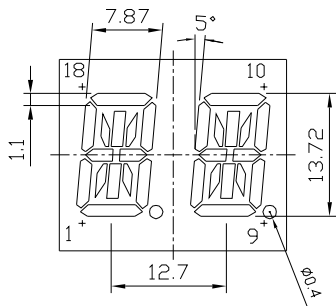
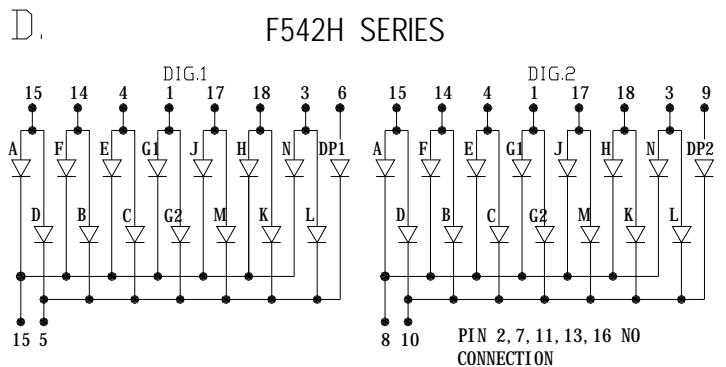
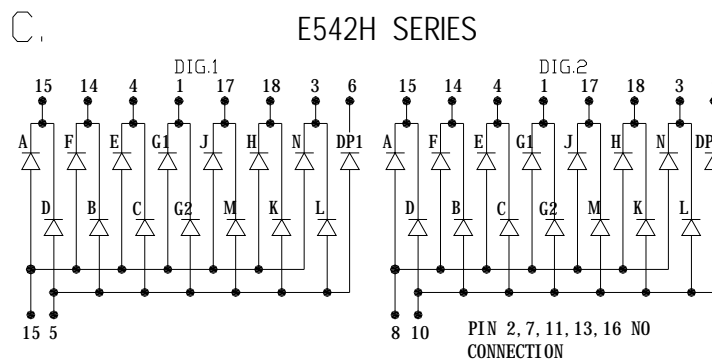
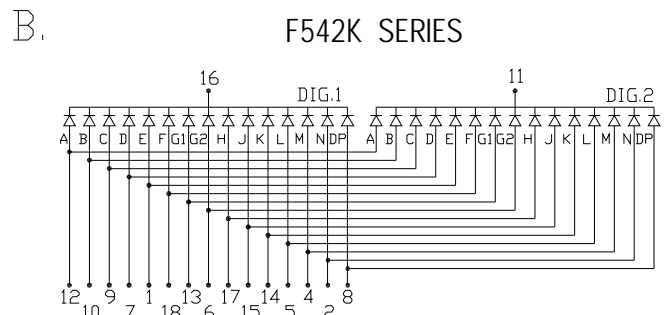
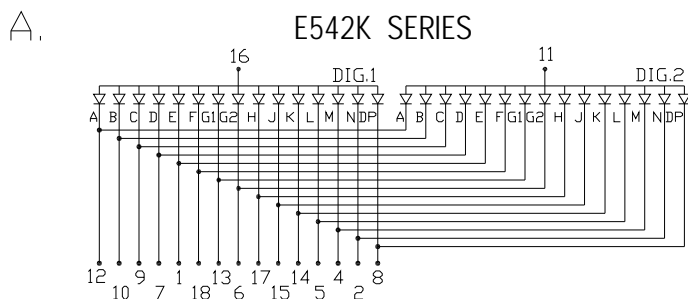
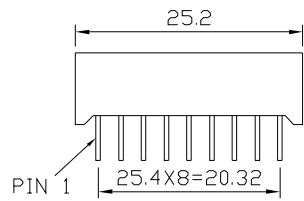


# JOINSCAN LEDs

D.54K 0.54 INCH (13.72mm) DUAL DIGIT ALPHANUMERIC DISPLAY 25.2 X 21.33 X 7.8mm



UNIT : mm  
TOLERANCE : ±0.2mm



PIN FUNCTION	COMMON ANODE			COMMON CATHODE			WAVE LENGTH (nm)	IR MAX (uA)	VF (V)	LUMINOUS INTENSITY
	A	C	E	B	D	F				
Emitting COLOR	model no.	model no.	model no.	model no.	model no.	model no.	(nm)	VR=5V	IF=20mA	IF=20mA
GaP RED	<b>E542KH</b>	<b>E542HH</b>		<b>F542KH</b>	<b>E542HH</b>		695	100	2.2	0.6mcd
GaAsP ORANGE RED	<b>E542KO</b>	<b>E542HO</b>		<b>F542KO</b>	<b>E542HO</b>		635	100	2.0	4.0mcd
GaP Green	<b>E542KG</b>	<b>E542HG</b>		<b>F542KG</b>	<b>E542HG</b>		570	100	2.2	4.5mcd
Gap Yellow	<b>E542KY</b>	<b>E542HY</b>		<b>F542KY</b>	<b>E542HY</b>		600	100	2.2	4.0mcd
GaAlAs SUPER RED	<b>E542KRS</b>	<b>E542HRS</b>		<b>F542KRS</b>	<b>E542HRS</b>		650	100	1.8	8.0mcd
GaAlAs ULTRA RED										
GaAlAs YELLOW GREEN										
Sic BLUE	<b>E542KSF</b>	<b>E542HSF</b>		<b>F542KSF</b>	<b>E542HSF</b>		465±5	100	3.6	30mcd
ZnSe WHITE		<b>E542H3</b>								

Model No. -BW BLACK SURFACE WHITE SEGMENT  
-BR BLACK SURFACE RED SEGMENT  
-GW GRAY SURFACE WHITE SEGMENT

Remark :

1. Typical forward current 10~20mA , MAXimum forward current 25mA
2. Solder Temperature 1.6mm Below Seating plane less 5 seconds at 260°C +5°C -30°C
3. Peak Foward current Per Dice , Duty cycle 1/10 , 10KHZ , MAXimum 120mA
4. Operating Temperature From -25°C to 85°C
5. RoHS COMPLIANT