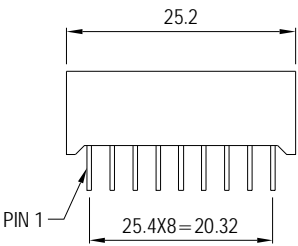
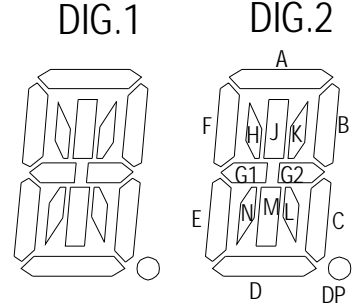
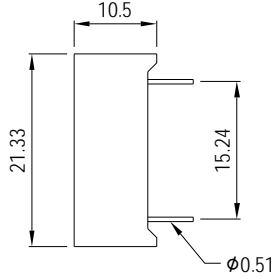
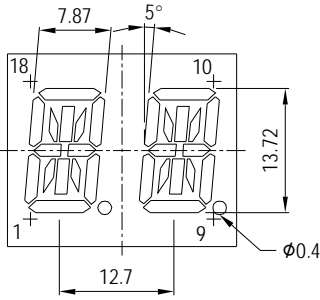


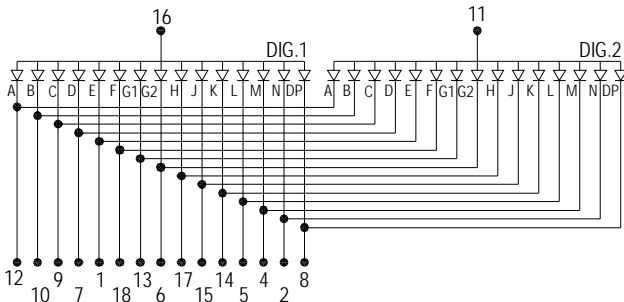
JOINSCAN LEDs

D.54KA 0.54 INCH (13.72mm) DUAL DIGIT ALPHANUMERIC DISPLAY 25.2 X 21.33 X 10.5mm

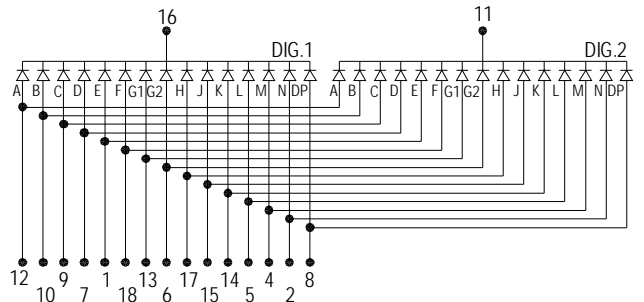


UNIT : mm
TOLERANCE : ±0.2mm

A. E532K SERIES



B. F532K SERIES



PIN FUNCTION	COMMON ANODE			COMMON CATHODE			WAVE LENGTH	IR MAX (uA)	VF (V)	LUMINOUS INTENSITY
	A	C	E	B	D	F				
Emitting COLOR	model no.	model no.	model no.	model no.	model no.	model no.	(nm)	VR=5V	IF=20mA	IF=20mA
GaP RED	E532KH			F532KH			695	100	2.2	0.6mcd
GaAsP ORANGE RED	E532KO			F532KO			635	100	2.0	4.0mcd
GaP GREEN	E532KG			F532KG			570	100	2.2	4.5mcd
Gap Yellow	E532KY			F532KY			600	100	2.2	4.0mcd
GaAlAs SUPER RED	E532KRS			F532KRS			650	100	1.8	8.0mcd
GaAlAs ULTRA RED										
GaAlAs YELLOW GREEN										
Sic BLUE	E532KSF			F532KSF			465±5	100	3.6	15mcd
ZnSe WHITE										

Model No. -BW BLACK SURFACE WHITE SEGMENT
-BR BLACK SURFACE RED SEGMENT
-GW GRAY SURFACE WHITE SEGMENT

Remark :

1. Typical forward current 10-20mA, MAXimum forward current 25mA
2. Solder Temperature 1.6mm Below Seating plane less 5 seconds at 260°C +5°C -30°C
3. Peak Forward current Per Dice, Duty cycle 1/10, 10KHZ, MAXimum 120mA
4. Operating Temperature From -25°C to 85°C
5. RoHS COMPLIANT

REV : C