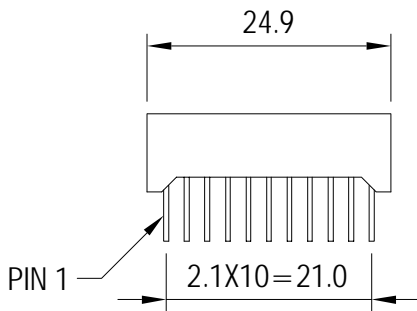
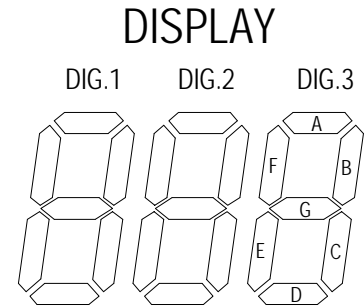
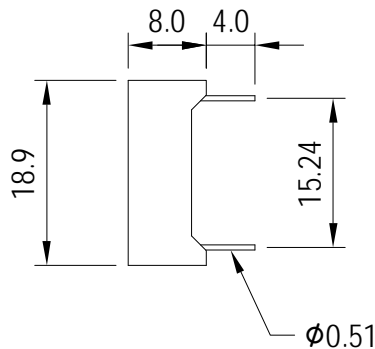
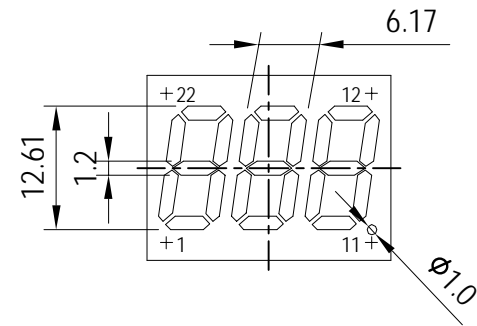


JOINSCAN LEDs

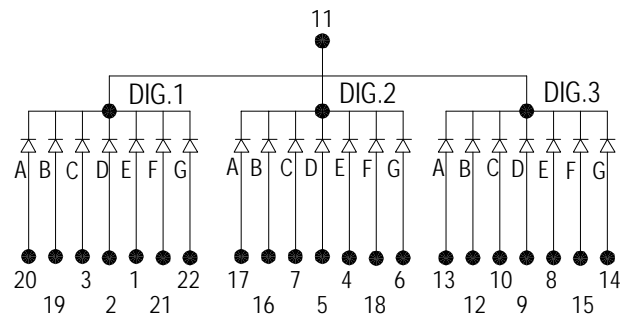
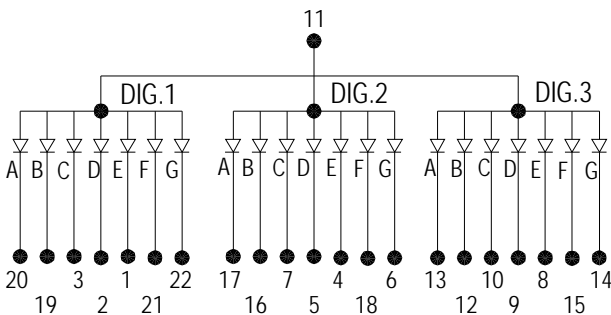
T.50A 0.5 INCH (12.61mm) TRIAD DIGIT SMALL SIZE WITH 22 PINS 24.9 X 18.9 X 8.0mm



UNIT : mm
TOLERANCE : ±0.2mm

A. A5136 SERIES

B. C5136 SERIES



PIN FUNCTION	COMMON ANODE			COMMON CATHODE			WAVE LENGTH (nm)	IR MAX (uA) VR=5V	VF (V) IF=20mA	LUMINOUS INTENSITY IF=20mA
	A	C	E	B	D	F				
Emitting COLOR	model no.	model no.	model no.	model no.	model no.	model no.				
GaP RED	A5136H			C5136H			695	100	2.2	0.6mcd
GaAsP ORANGE RED	A5136O			C5136O			635	100	2.0	4.0mcd
GaP GREEN	A5136G			C5136G			570	100	2.2	4.5mcd
Gap Yellow	A5136Y			C5136Y			600	100	2.2	4.0mcd
GaAlAs SUPER RED	A5136RS			C5136RS			650	100	1.8	8.0mcd
GaAlAs ULTRA RED										
GaAlAs YELLOW GREEN										
Sic BLUE	A5136SF			C5136SF			465±5	100	3.6	15mcd
ZnSe WHITE										

Model No. -BW BLACK SURFACE WHITE SEGMENT
-BR BLACK SURFACE RED SEGMENT
-GW GRAY SURFACE WHITE SEGMENT

Remark :

1. Typical forward current 10-20mA, MAXimum forward current 25mA
2. Solder Temperature 1.6mm Below Seating plane less 5 seconds at 260°C +5°C -30°C
3. Peak Forward current Per Dice, Duty cycle 1/10, 10KHZ, MAXimum 120mA
4. Operating Temperature From -25°C to 85°C
5. RoHS COMPLIANT

REV : C