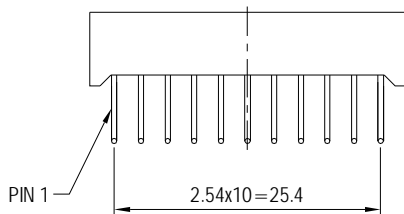
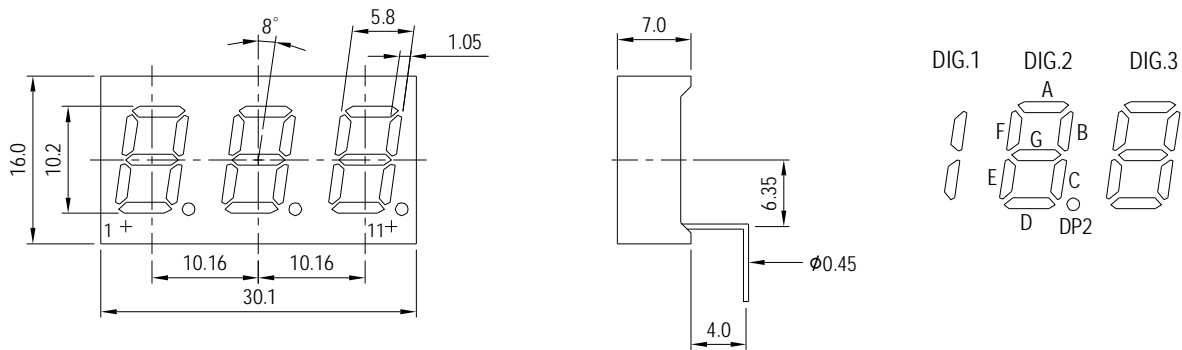


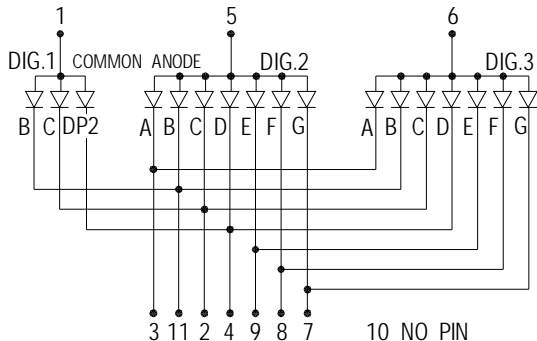
JOINSCAN LEDs

T.40E 0.4 INCH (10.2mm) THREE DIGITS ONE SIDE 11PINS WITH BENT 30.1 X 16.0 X 7.0mm

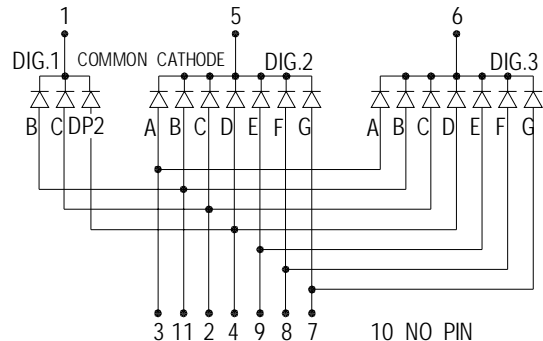


UNIT : mm
TOLERANCE : ± 0.2 mm

A. E4037X - H4 SERIES



B. F4037X - H4 SERIES



PIN	FUNCTION	COMMON ANODE		COMMON CATHODE		WAVE LENGTH (nm)	IR MAX (uA) VR=5V	VF (V) IF=20mA	LUMINOUS INTENSITY IF=20mA
		A model no.	C model no.	B model no.	D model no.				
	Emitting COLOR								
	GaP RED	E4037H - H4		F4037H - H4		695	100	2.2	0.4mcd
	GaAsP ORANGE RED	E4037O - H4		F4037O - H4		635	100	2.0	2.5mcd
	GaP GREEN	E4037G - H4		F4037G - H4		570	100	2.2	4.5mcd
	Gap Yellow	E4037Y - H4		F4037Y - H4		600	100	2.2	2.5mcd
	GaAlAs SUPER RED	E4037RS - H4		F4037RS - H4		650	100	1.8	3.0mcd
	GaAlAs ULTRA RED								
	GaAlAs YELLOW GREEN								
	Sic BLUE	E4037SF - H4		F4037SF - H4		465 \pm 5	100	3.6	10mcd
	ZnSe WHITE								

Model No. -BW BLACK SURFACE WHITE SEGMENT
-BR BLACK SURFACE RED SEGMENT
-GW GRAY SURFACE WHITE SEGMENT

Remark :

1. Typical forward current 10-20mA, Maximum forward current 25mA
2. Solder Temperature 1.6mm Below Seating plane less 5 seconds at 260°C +5°C -30°C
3. Peak Forward current Per Dice, Duty cycle 1/10, 10KHZ, Maximum 120mA
4. Operating Temperature From -25°C to 85°C
5. RoHS COMPLIANT

REV : B