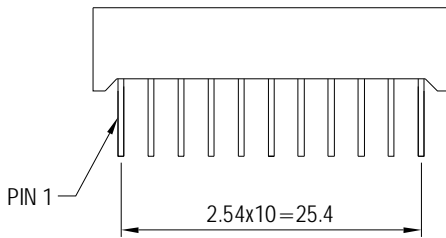
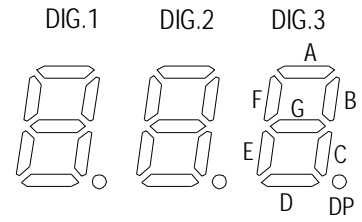
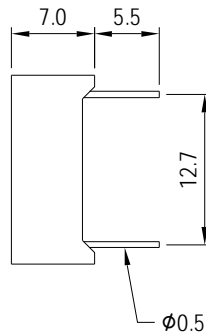
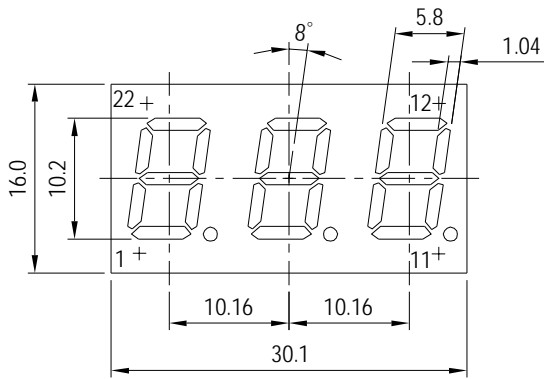


JOINSCAN LEDs

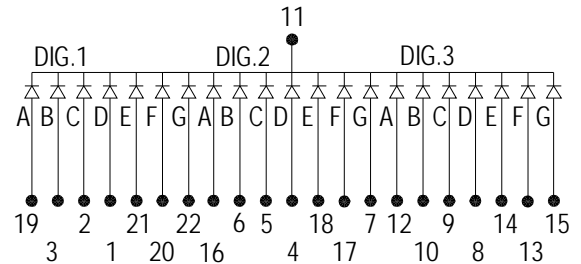
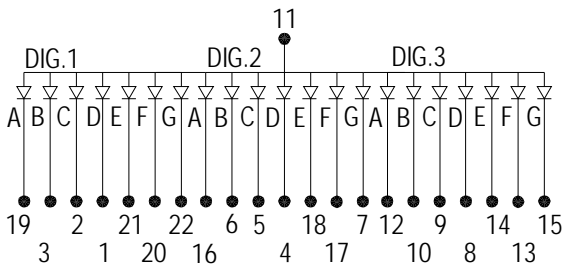
T.40D 0.4 INCH (10.2mm) TRIAD DIGIT 30.1 X 16.0 X 7.0mm 22PINS



UNIT : mm
TOLERANCE : ±0.2mm

A. A4037 SERIES

B. C4037 SERIES



PIN FUNCTION	COMMON ANODE			COMMON CATHODE			WAVE LENGTH (nm)	IR MAX (uA) VR=5V	VF (V) IF=20mA	LUMINOUS INTENSITY IF=20mA
	A	C	E	B	D	F				
Emitting COLOR	model no.	model no.	model no.	model no.	model no.	model no.				
GaP RED	A4037H			C4037H			695	100	2.2	0.6mcd
GaAsP ORANGE RED	A4037O			C4037O			630	100	2.0	4.0mcd
GaP GREEN	A4037G			C4037G			570	100	2.2	4.5mcd
Gap Yellow	A4037Y			C4037Y			600	100	2.2	4.0mcd
GaAlAs SUPER RED	A4037RS			C4037RS			650	100	1.8	8.0mcd
GaAlAs ULTRA RED										
GaAlAs YELLOW GREEN										
Sic BLUE	A4037SF			C4037SF			465±5	100	3.6	10mcd
ZnSe WHITE										

Model No. -BW BLACK SURFACE WHITE SEGMENT
-BR BLACK SURFACE RED SEGMENT
-GW GRAY SURFACE WHITE SEGMENT

Remark :

1. Typical forward current 10-20mA , MAXimum forward current 25mA
2. Solder Temperature 1.6mm Below Seating plane less 5 seconds at 260°C +5°C -30°C
3. Peak Forward current Per Dice , Duty cycle 1/10 , 10KHZ , MAXimum 120mA
4. Operating Temperature From -25°C to 85°C
5. RoHS COMPLIANT

REV : C