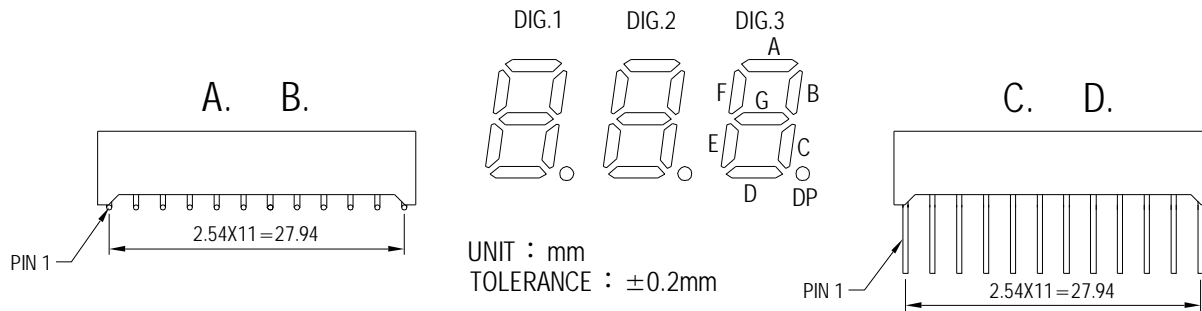
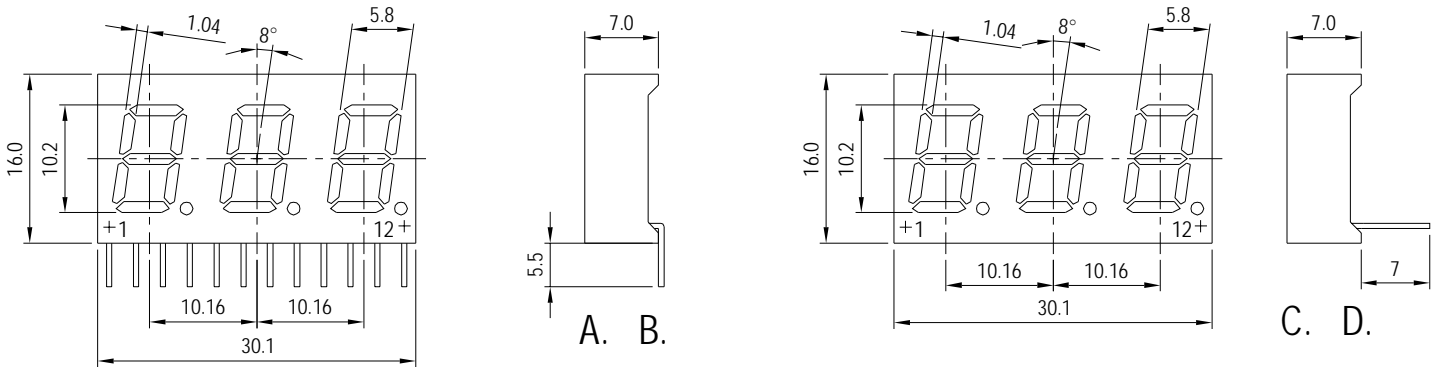
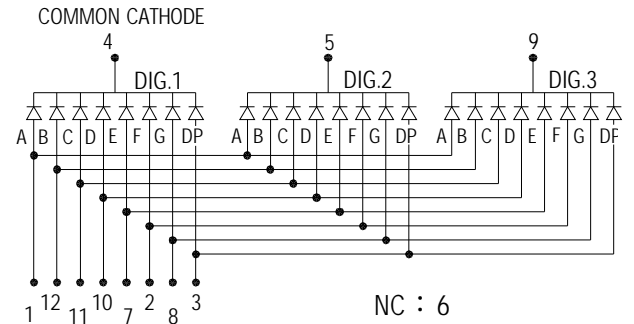
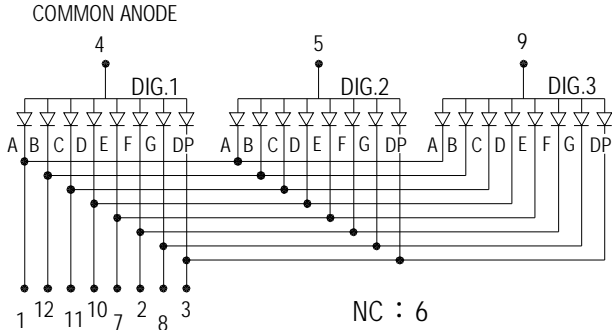


JOINSCAN LEDs

T.40C 0.4 INCH (10.2mm) TRIAD DIGIT SINGLE SIDE PIN OUT 30.1 X 16.0 X 7.0mm



- A. E4039X SERIES-K7
- B. F4039X SERIS-K7
- C. E4039X SERIES-H5.5
- D. F4039X SERIES-H5.5



PIN FUNCTION	COMMON ANODE			COMMON CATHODE			WAVE LENGTH (nm)	IR MAX (uA) VR=5V	VF (V) IF=20mA	LUMINOUS INTENSITY IF=20mA
	A	C	E	B	D	F				
Emitting COLOR	model no.	model no.	model no.	model no.	model no.	model no.				
GaP RED	E4039H-K7	E4039H-H5.5		F4039H-K7	F4039H-H5.5		695	100	2.2	0.6mcd
GaAsP ORANGE RED	E4039O-K7	E4039O-H5.5		F4039O-K7	F4039O-H5.5		630	100	2.0	4.0mcd
GaP GREEN	E4039G-K7	E4039G-H5.5		F4039G-K7	F4039G-H5.5		570	100	2.2	4.5mcd
Gap Yellow	E4039Y-K7	E4039Y-H5.5		F4039Y-K7	F4039Y-H5.5		600	100	2.2	4.0mcd
GaAlAs SUPER RED	E4039RS-K7	E4039RS-H5.5		F4039RS-K7	F4039RS-H5.5		650	100	1.8	8.0mcd
GaAlAs ULTRA RED										
GaAlAs YELLOW GREEN										
Sic BLUE	E4039SF-K7	E4039SF-H5.5		F4039SF-K7	F4039SF-H5.5		465±5	100	3.6	10mcd
ZnSe WHITE										

Model No. -BW BLACK SURFACE WHITE SEGMENT
 -BR BLACK SURFACE RED SEGMENT
 -GW GRAY SURFACE WHITE SEGMENT

Remark :

1. Typical forward current 10-20mA , MAXimum forward current 25mA
2. Solder Temperature 1.6mm Below Seating plane less 5 seconds at 260°C +5°C -30°C
3. Peak Forward current Per Dice , Duty cycle 1/10 , 10KHZ , MAXimum 120mA
4. Operating Temperature From -25°C to 85°C
5. RoHS COMPLIANT