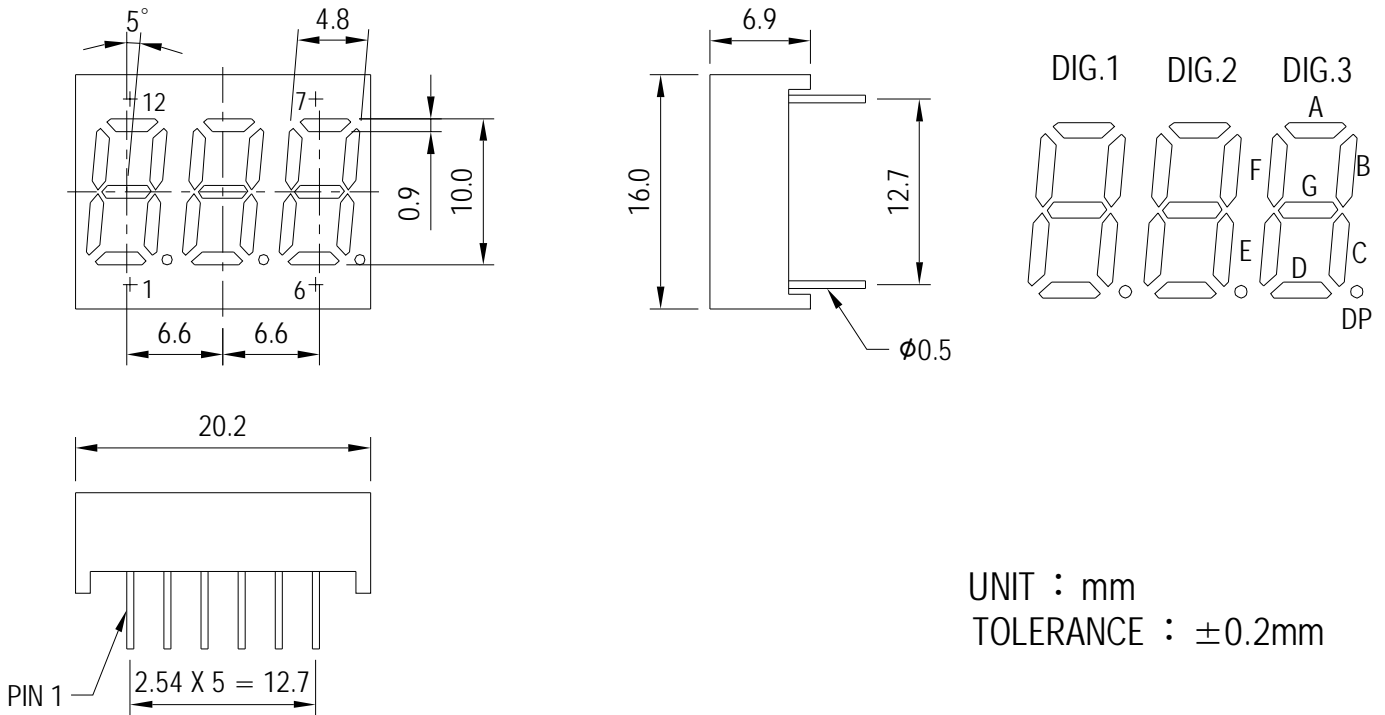


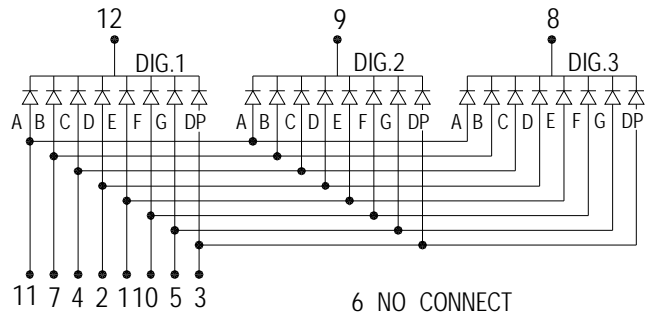
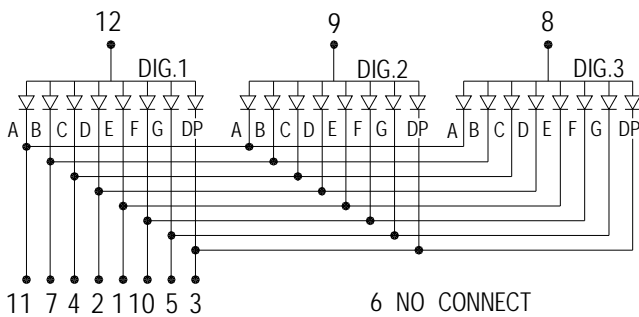
JOINSCAN LEDs

T.40B 0.4 INCH (10.0mm) THREE DIGIT 20.2 X 16.0 X 6.9mm



A. E3938 SERIES

B. F3938 SERIES



PIN	FUNCTION	COMMON ANODE			COMMON CATHODE			WAVE LENGTH (nm)	IR MAX (uA) VR=5V	VF (V) IF=20mA	LUMINOUS INTENSITY IF=20mA
		A	C	E	B	D	F				
	Emitting COLOR	model no.	model no.	model no.	model no.	model no.	model no.				
	GaP RED	E3938H			F3938H			695	100	2.2	0.6mcd
	GaAsP ORANGE RED	E3938O			F3938O			630	100	2.0	4.0mcd
	GaP GREEN	E3938G			F3938G			570	100	2.2	4.5mcd
	Gap Yellow	E3938Y			F3938Y			600	100	2.2	4.0mcd
	GaAlAs SUPER RED	E3938RS			F3938RS			650	100	1.8	8.0mcd
	GaAlAs ULTRA RED										
	GaAlAs YELLOW GREEN										
	Sic BLUE	E3938SF			F3938SF			465±5	100	3.6	10mcd
	ZnSe WHITE										

Model No. - BW BLACK SURFACE WHITE SEGMENT
 - BR BLACK SURFACE RED SEGMENT
 - GW GRAY SURFACE WHITE SEGMENT

Remark :

1. Typical forward current 10 ~ 20mA , MAXimum forward current 25mA
2. Solder Temperature 1.6mm Below Seating plane less 5 seconds at 260°C +5°C -30°C
3. Peak Foward current Per Dice , Duty cycle 1 / 10 , 10KHZ , MAXimum 120mA
4. Operating Temperature From -25°C to 85°C
5. RoHS COMPLIANT

REV : B