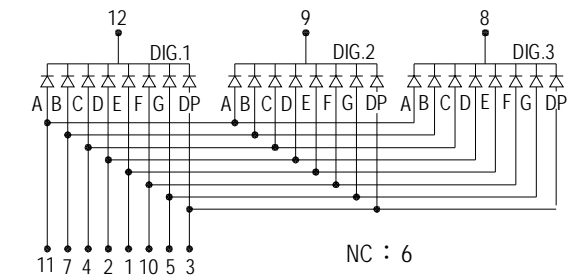
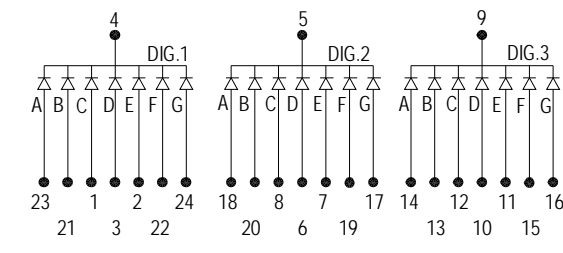
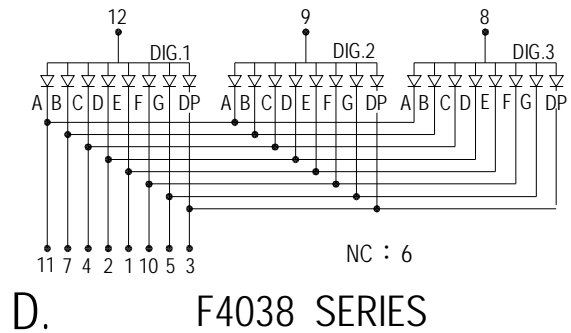
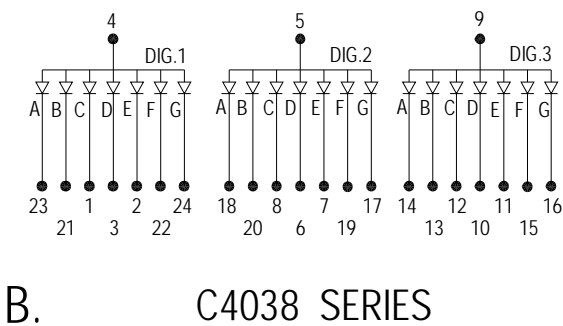
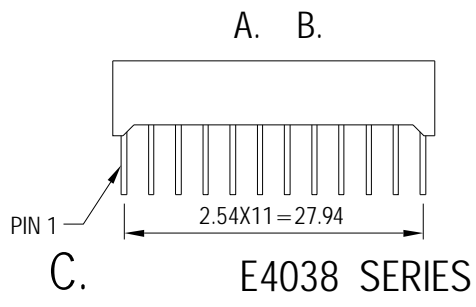
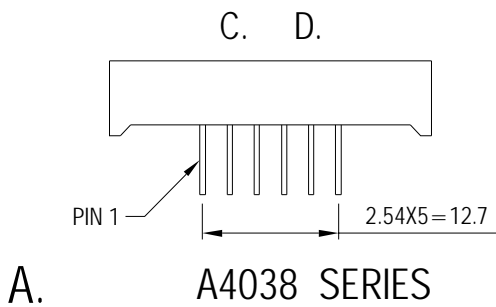
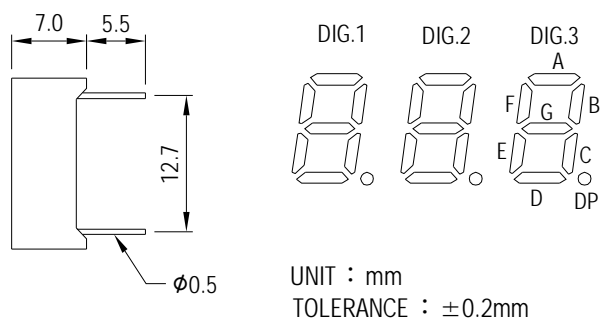
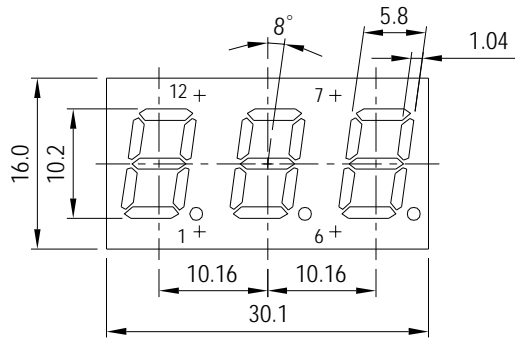


JOINSCAN LEDs

T.40A 0.4 INCH (10.2mm) TRIAD DIGIT 30.1 X 16.0 X 7.0mm 12PINS & 24PINS



PIN FUNCTION	COMMON ANODE			COMMON CATHODE			WAVE LENGTH (nm)	IR MAX (uA) VR=5V	VF (V) IF=20mA	LUMINOUS INTENSITY IF=20mA
	A	C	E	B	D	F				
Emitting COLOR	model no.	model no.	model no.	model no.	model no.	model no.				
GaP RED	A4038H	E4038H		C4038H	F4038H		695	100	2.2	0.6mcd
GaAsP ORANGE RED	A4038O	E4038O		C4038O	F4038O		630	100	2.0	4.0mcd
GaP GREEN	A4038G	E4038G		C4038G	F4038G		570	100	2.2	4.5mcd
Gap Yellow	A4038Y	E4038Y		C4038Y	F4038Y		600	100	2.2	4.0mcd
GaAlAs SUPER RED	A4038RS	E4038RS		C4038RS	F4038RS		650	100	1.8	8.0mcd
GaAlAs ULTRA RED										
GaAlAs YELLOW GREEN										
Sic BLUE	A4038SF	E4038SF		C4038SF	F4038SF		465±5	100	3.6	10mcd
ZnSe WHITE										

Model No. -BW BLACK SURFACE WHITE SEGMENT
 -BR BLACK SURFACE RED SEGMENT
 -GW GRAY SURFACE WHITE SEGMENT

Remark :

1. Typical forward current 10-20mA , MAXimum forward current 25mA
2. Solder Temperature 1.6mm Below Seating plane less 5 seconds at 260°C +5°C -30°C
3. Peak Forward current Per Dice , Duty cycle 1/10 , 10KHZ , MAXimum 120mA
4. Operating Temperature From -25°C to 85°C
5. RoHS COMPLIANT

REV : C