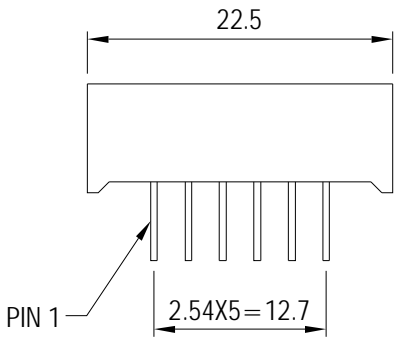
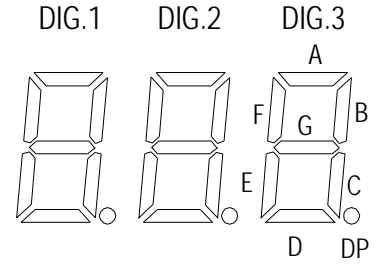
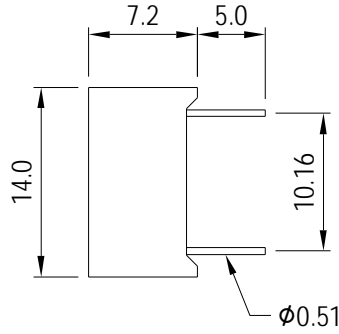
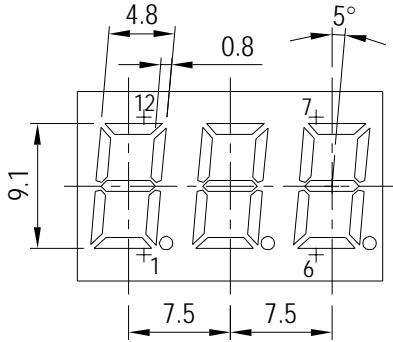


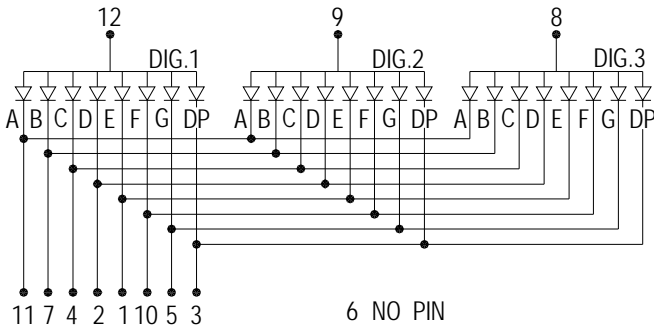
JOINSCAN LEDs

T.36A 0.36 INCH (9.1mm) TRIAD DIGIT 22.5 X 14.0 X 7.2mm

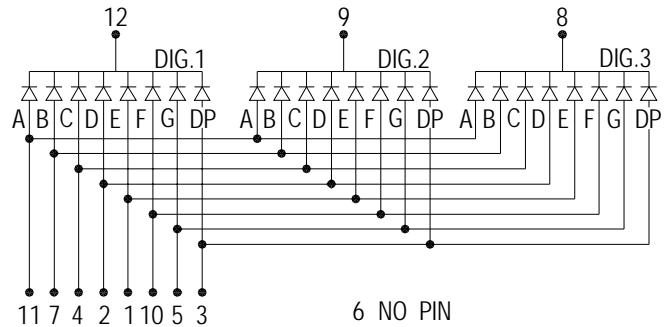


UNIT : mm
TOLERANCE : ±0.2mm

A. E3638 SERIES



B. F3638 SERIES



PIN FUNCTION	COLOR	COMMON ANODE			COMMON CATHODE			WAVE LENGTH (nm)	IR MAX (uA) VR=5V	VF (V) IF=20mA	LUMINOUS INTENSITY IF=20mA
		A	C	E	B	D	F				
GaP	RED	E3638H			F3638H			695	100	2.2	0.6mcd
GaAsP	ORANGE RED	E3638O			F3638O			635	100	2.0	4.0mcd
GaP	GREEN	E3638G			F3638G			570	100	2.2	4.5mcd
Gap	Yellow	E3638Y			F3638Y			600	100	2.2	4.0mcd
GaAlAs	SUPER RED	E3638RS			F3638RS			650	100	1.8	8.0mcd
GaAlAs	ULTRA RED										
GaAlAs	YELLOW GREEN										
Sic	BLUE	E3638SF			F3638SF			465±5	100	3.6	10mcd
ZnSe	WHITE										

Model No. -BW BLACK SURFACE WHITE SEGMENT
-BR BLACK SURFACE RED SEGMENT
-GW GRAY SURFACE WHITE SEGMENT

Remark :

1. Typical forward current 10~20mA, MAXimum forward current 25mA
2. Solder Temperature 1.6mm Below Seating plane less 5 seconds at 260°C +5°C -30°C
3. Peak Forward current Per Dice, Duty cycle 1/10, 10KHZ, MAXimum 120mA
4. Operating Temperature From -25°C to 85°C
5. RoHS COMPLIANT