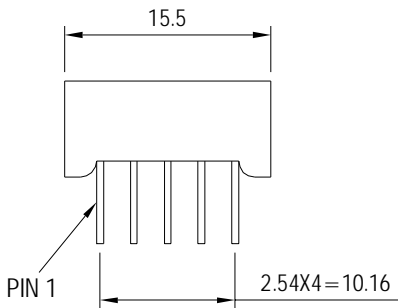
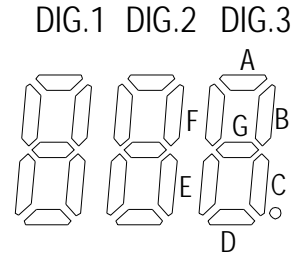
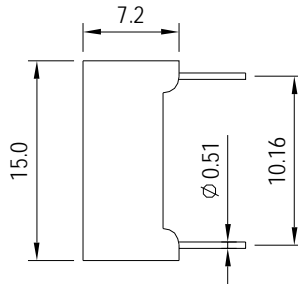
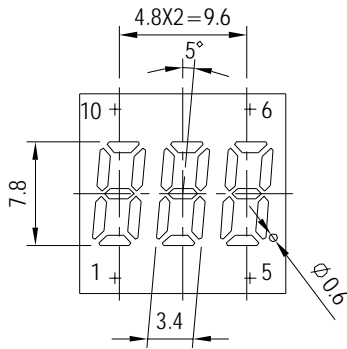


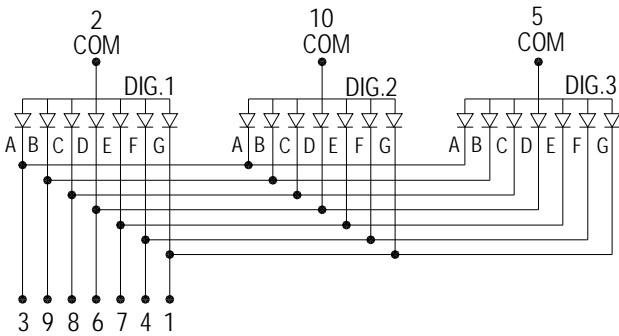
JOINSCAN LEDs

T.30A 0.3 INCH (7.8mm) TRIAD DIGIT 15.5 X 15.0 X 7.2mm

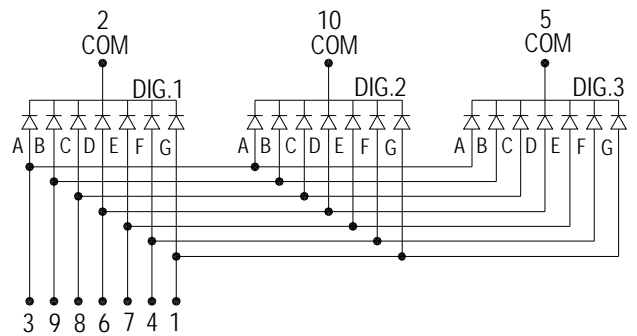


UNIT : mm
TOLERANCE : ±0.2mm

A. E3038 SERIES



B. F3038 SERIES



| PIN FUNCTION | COMMON ANODE | COMMON CATHODE | | | | | | WAVE LENGTH (nm) | IR MAX (uA) VR=5V | VF (V) IF=20mA | LUMINOUS INTENSITY IF=20mA |
|---------------------|--------------|----------------|-----------|-----------|-----------|-----------|-----------|------------------|-------------------|----------------|----------------------------|
| | | A | C | E | B | D | F | | | | |
| Emitting COLOR | model no. | model no. | model no. | model no. | model no. | model no. | model no. | | | | |
| GaP RED | E3038H | | | | F3038H | | | 695 | 100 | 2.2 | 0.6mcd |
| GaAsP ORANGE RED | E3038O | | | | F3038O | | | 635 | 100 | 2.0 | 4.0mcd |
| GaP GREEN | E3038G | | | | F3038G | | | 570 | 100 | 2.2 | 4.5mcd |
| Gap Yellow | E3038Y | | | | F3038Y | | | 600 | 100 | 2.2 | 4.0mcd |
| GaAlAs SUPER RED | E3038RS | | | | F3038RS | | | 650 | 100 | 1.8 | 8.0mcd |
| GaAlAs ULTRA RED | | | | | | | | | | | |
| GaAlAs YELLOW GREEN | | | | | | | | | | | |
| Sic BLUE | E3038SF | | | | F3038SF | | | 465±5 | 100 | 3.6 | 10mcd |
| ZnSe WHITE | | | | | | | | | | | |

Model No.-BW BLACK SURFACE WHITE SEGMENT
-BR BLACK SURFACE RED SEGMENT
-GW GRAY SURFACE WHITE SEGMENT

Remark :

1. Typical forward current 10 ~ 20mA , MAXimum forward current 25mA
2. Solder Temperature 1.6mm Below Seating plane less 5 seconds at 260°C +5°C -30°C
3. Peak Foward current Per Dice , Duty cycle 1 / 10 , 10KHZ , MAXimum 120mA
4. Operating Temperature From -25°C to 85°C
5. RoHS COMPLIANT

REV : C