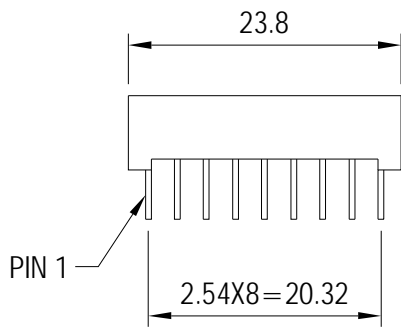
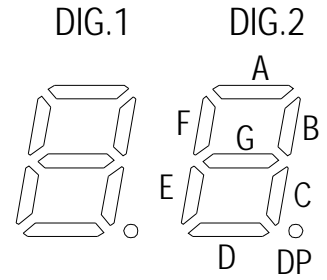
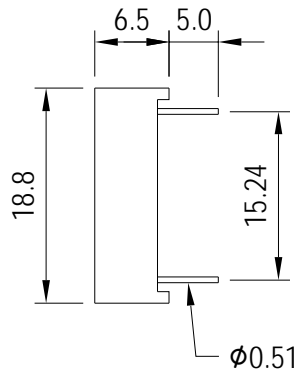
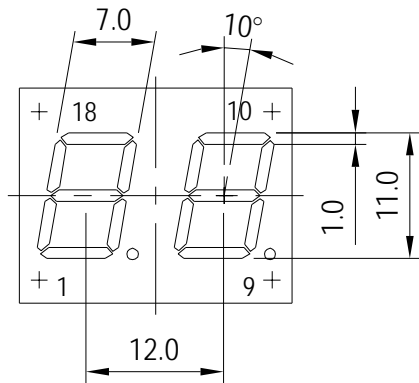


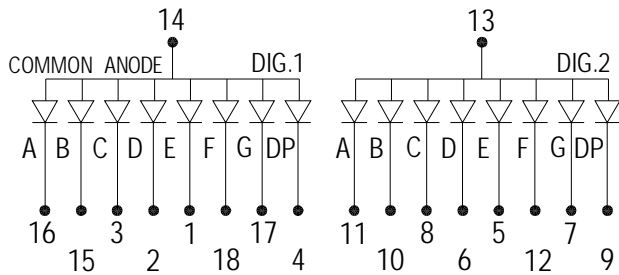
JOINSCAN LEDs

D.43A 0.43 INCH (11.0mm) DUAL DIGIT 23.8 X 18.8 X 6.5mm

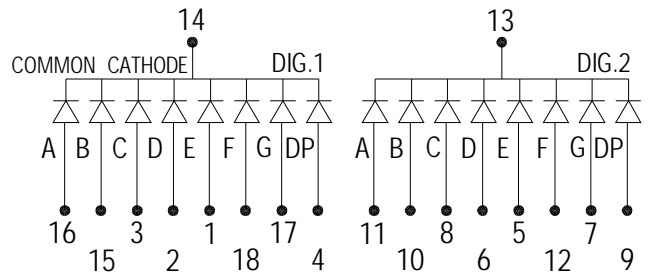


UNIT : mm
TOLERANCE : ±0.2mm

A. A4428 SERIES



B. C4428 SERIES



| PIN FUNCTION | COMMON ANODE | | | COMMON CATHODE | | | WAVE LENGTH | IR MAX (uA) | VF (V) | LUMINOUS INTENSITY |
|---------------------|--------------|-----------|-----------|----------------|-----------|-----------|-------------|-------------|---------|--------------------|
| | A | C | E | B | D | F | | | | |
| Emitting COLOR | model no. | model no. | model no. | model no. | model no. | model no. | (nm) | VR=5V | IF=20mA | IF=20mA |
| GaP RED | A4428H | | | C4428H | | | 695 | 100 | 2.2 | 0.6mcd |
| GaAsP ORANGE RED | A4428O | | | C4428O | | | 635 | 100 | 2.0 | 4.0mcd |
| GaP GREEN | A4428G | | | C4428G | | | 570 | 100 | 2.2 | 4.5mcd |
| Gap Yellow | A4428Y | | | C4428Y | | | 600 | 100 | 2.2 | 4.0mcd |
| GaAlAs SUPER RED | A4428RS | | | C4428RS | | | 650 | 100 | 1.8 | 8.0mcd |
| GaAlAs ULTRA RED | | | | | | | | | | |
| GaAlAs YELLOW GREEN | | | | | | | | | | |
| Sic BLUE | A4428SF | | | C4428SF | | | 465±5 | 100 | 3.6 | 10.0mcd |
| ZnSe WHITE | | | | | | | | | | |

Model No. -BW BLACK SURFACE WHITE SEGMENT
-BR BLACK SURFACE RED SEGMENT
-GW GRAY SURFACE WHITE SEGMENT

Remark :

1. Typical forward current 10-20mA, MAXimum forward current 25mA
2. Solder Temperature 1.6mm Below Seating plane less 5 seconds at 260°C +5°C -30°C
3. Peak Forward current Per Dice, Duty cycle 1/10, 10KHZ, MAXimum 120mA
4. Operating Temperature From -25°C to 85°C
5. RoHS COMPLIANT

REV : B