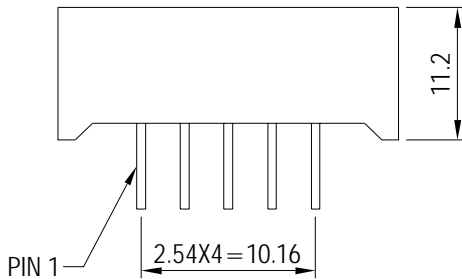
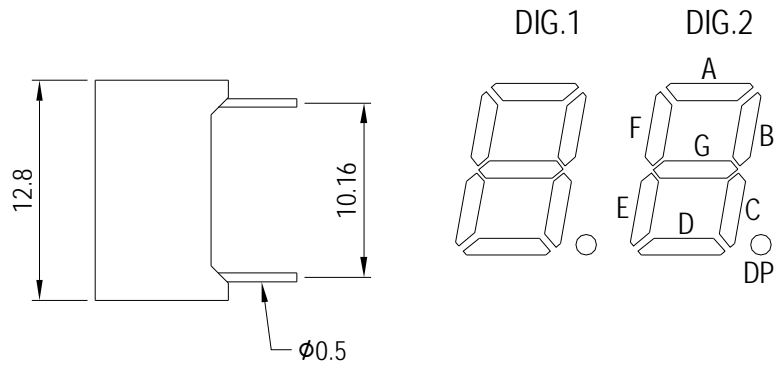
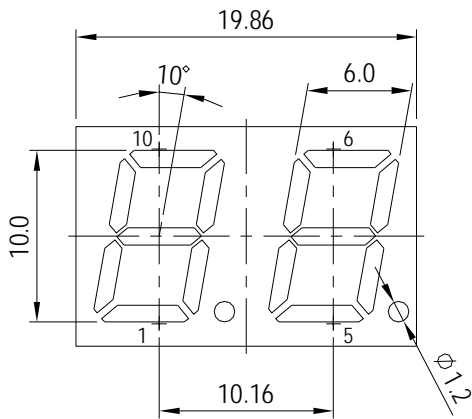
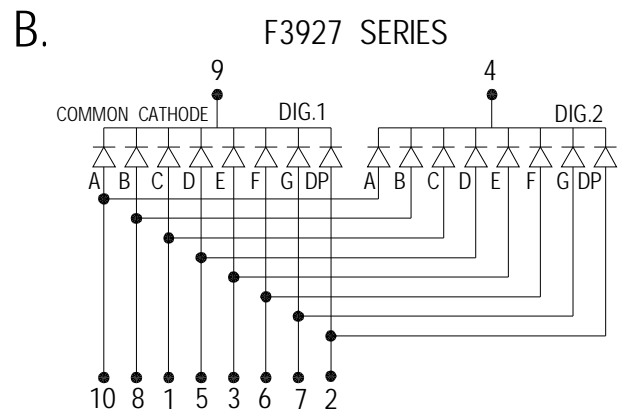
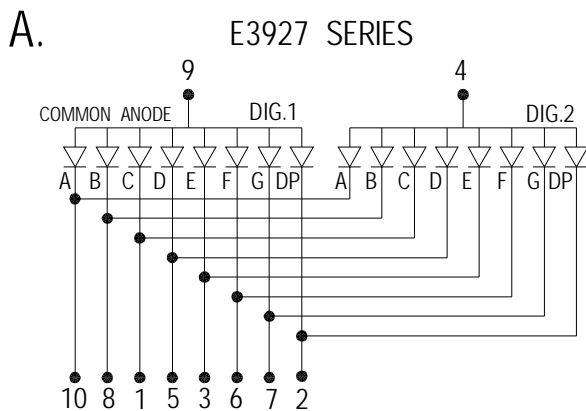


JOINSCAN LEDs

D.39B 0.39 INCH (10.0mm) DUAL DIGIT 19.86 X 12.8 X 11.2mm



UNIT : mm
TOLERANCE : ±0.2mm



PIN	FUNCTION	COMMON ANODE			COMMON CATHODE			WAVE LENGTH (nm)	IR MAX (uA) VR=5V	VF (V) IF=20mA	LUMINOUS INTENSITY IF=20mA
		A	C	E	B	D	F				
	Emitting COLOR	model no.	model no.	model no.	model no.	model no.	model no.				
	GaP RED	E3927H			F3927H			695	100	2.2	0.4mcd
	GaAsP ORANGE RED	E3927O			F3927O			630	100	2.0	2.5mcd
	GaP GREEN	E3927G			F3927G			570	100	2.2	4.5mcd
	Gap Yellow	E3927Y			F3927Y			600	100	2.2	2.5mcd
	GaAlAs SUPER RED	E3927RS			F3927RS			650	100	1.8	3.0mcd
	GaAlAs ULTRA RED										
	GaAlAs YELLOW GREEN										
	Sic BLUE	E3927SF			F3927SF			465±5	100	3.6	10mcd
	ZnSe WHITE										

Model No. -BW BLACK SURFACE WHITE SEGMENT
-BR BLACK SURFACE RED SEGMENT
-GW GRAY SURFACE WHITE SEGMENT

Remark :

1. Typical forward current 10-20mA, MAXimum forward current 25mA
2. Solder Temperature 1.6mm Below Seating plane less 5 seconds at 260°C +5°C -30°C
3. Peak Foward current Per Dice, Duty cycle 1/10, 10KHZ, MAXimum 120mA
4. Operating Temperature From -25°C to 85°C
5. RoHS COMPLIANT