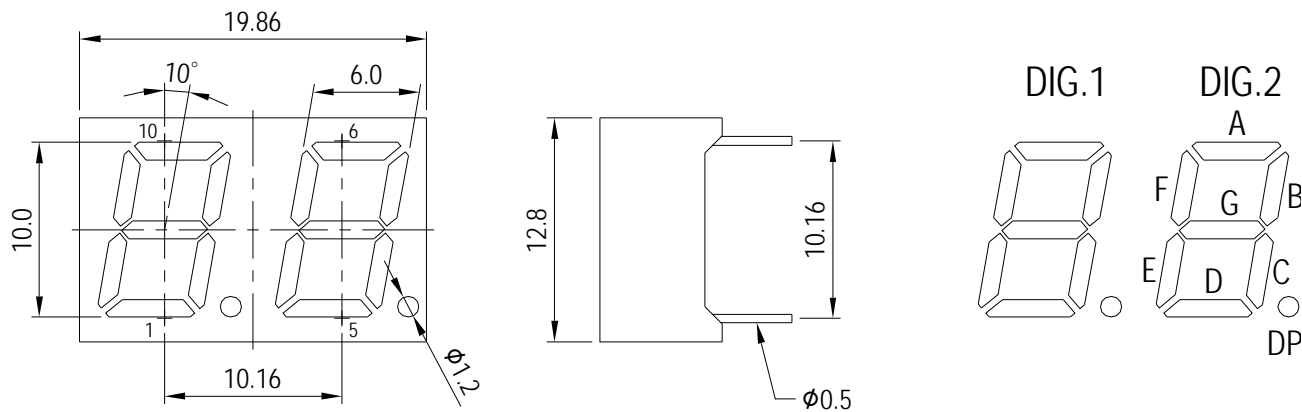
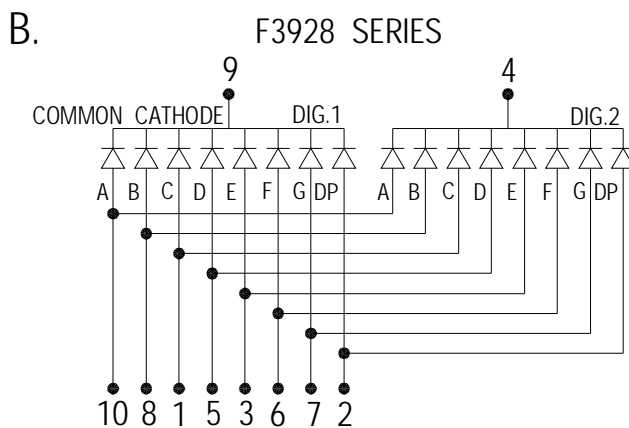
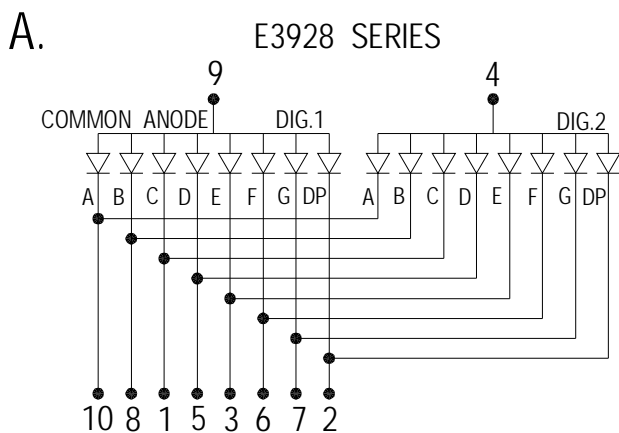


JOINSCAN LEDs

D.39A 0.39 INCH (10.0mm) DUAL DIGIT 19.86 X 12.8 X 7.0mm



UNIT : mm
TOLERANCE : ± 0.2mm



PIN FUNCTION	COMMON ANODE			COMMON CATHODE			WAVE LENGTH (nm)	IR MAX (uA) VR=5V	VF (V) IF=20mA	LUMINOUS INTENSITY IF=20mA
	A	C	E	B	D	F				
Emitting COLOR	model no.	model no.	model no.	model no.	model no.	model no.				
GaP RED	E3928H			F3928H			695	100	2.2	0.4mcd
GaAsP ORANGE RED	E3928O			F3928O			630	100	2.0	2.5mcd
GaP GREEN	E3928G			F3928G			570	100	2.2	4.5mcd
Gap Yellow	E3928Y			F3928Y			600	100	2.2	2.5mcd
GaAlAs SUPER RED	E3928RS			F3928RS			650	100	1.8	3.0mcd
GaAlAs ULTRA RED										
GaAlAs YELLOW GREEN										
Sic BLUE	E3928SF			F3928SF			465±5	100	3.6	10mcd
ZnSe WHITE										

Model No. -BW BLACK SURFACE WHITE SEGMENT
-BR BLACK SURFACE RED SEGMENT
-GW GRAY SURFACE WHITE SEGMENT

Remark :

1. Typical forward current 10-20mA , MAXimum forward current 25mA
2. Solder Temperature 1.6mm Below Seating plane less 5 seconds at 260°C +5°C -30°C
3. Peak Foward current Per Dice , Duty cycle 1/10 , 10KHZ , MAXimum 120mA
4. Operating Temperature From -25°C to 85°C
5. RoHS COMPLIANT

REV : B