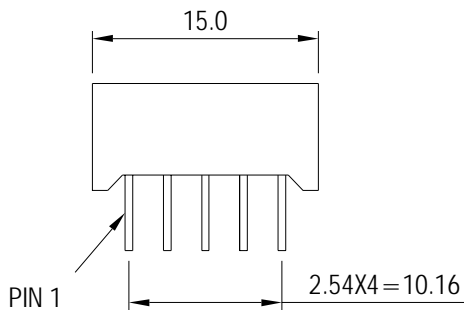
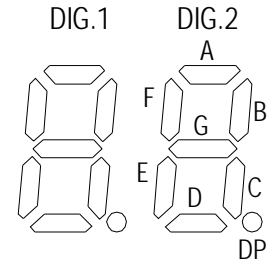
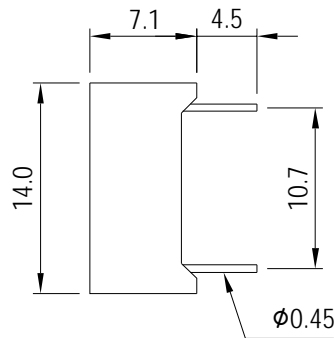
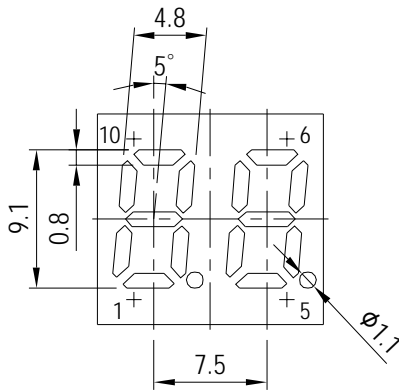


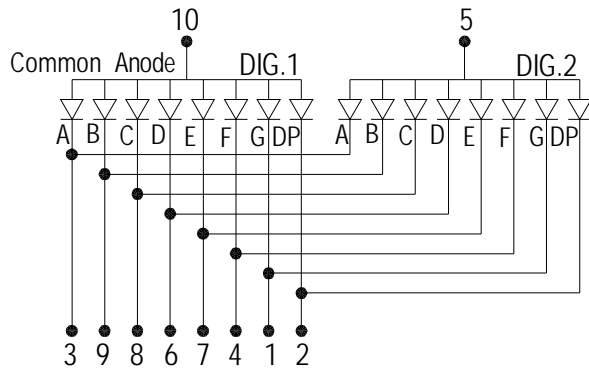
JOINSCAN LEDs

D.36A 0.36 INCH (9.1mm) DUAL DIGIT PIN PITCH 2.54mm 14.0 X 15.0 X 7.1mm

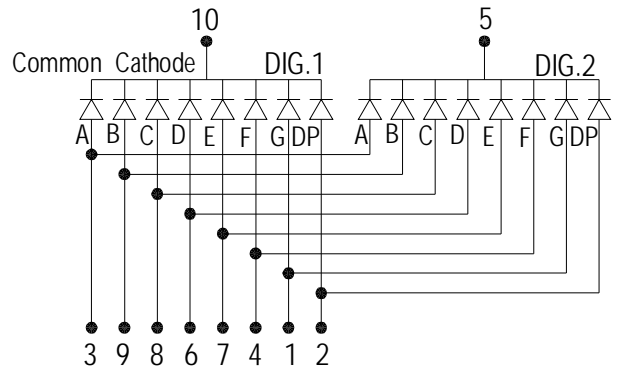


Unit : mm
Tolerance : ±0.2mm

A. E3628 SERIES



B. F3628 SERIES



| PIN FUNCTION | COMMON ANODE | | | COMMON CATHODE | | | WAVE LENGTH (nm) | IR MAX (uA) VR=5V | VF (V) IF=20mA | LUMINOUS INTENSITY IF=20mA |
|---------------------|--------------|-----------|-----------|----------------|-----------|-----------|------------------|-------------------|----------------|----------------------------|
| | A | C | E | B | D | F | | | | |
| Emitting COLOR | model no. | model no. | model no. | model no. | model no. | model no. | | | | |
| GaP RED | E3628H | | | F3628H | | | 695 | 100 | 2.2 | 0.6mcd |
| GaAsP ORANGE RED | E3628O | | | F3628O | | | 635 | 100 | 2.0 | 2.5mcd |
| GaP GREEN | E3628G | | | F3628G | | | 570 | 100 | 2.2 | 3.5mcd |
| Gap Yellow | E3628Y | | | F3628Y | | | 600 | 100 | 2.2 | 3.5mcd |
| GaAlAs SUPER RED | E3628RS | | | F3628RS | | | 650 | 100 | 1.8 | 3.3mcd |
| GaAlAs ULTRA RED | | | | | | | | | | |
| GaAlAs YELLOW GREEN | | | | | | | | | | |
| Sic BLUE | E3628SF | | | F3628SF | | | 465±5 | 100 | 3.6 | 10.0mcd |
| ZnSe WHITE | | | | | | | | | | |

Model No. -BW BLACK SURFACE WHITE SEGMENT
-BR BLACK SURFACE RED SEGMENT
-GW GRAY SURFACE WHITE SEGMENT

Remark :

1. Typical forward current 10-20mA · MAXimum forward current 25mA
2. Solder Temperature 1.6mm Below Seating plane less 5 seconds at 260°C +5°C -30°C
3. Peak Forward current Per Dice · Duty cycle 1/10 · 10KHZ · MAXimum 120mA
4. Operating Temperature From -25°C to 85°C
5. RoHS COMPLIANT

REV : B