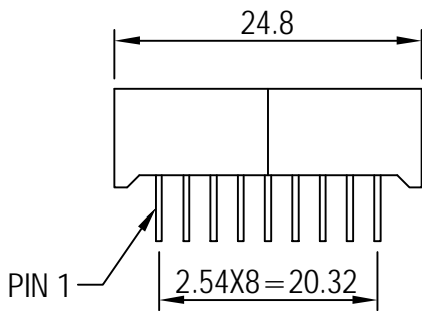
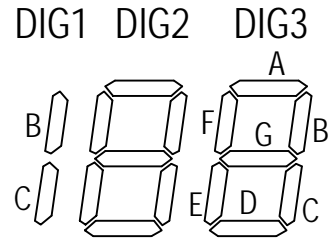
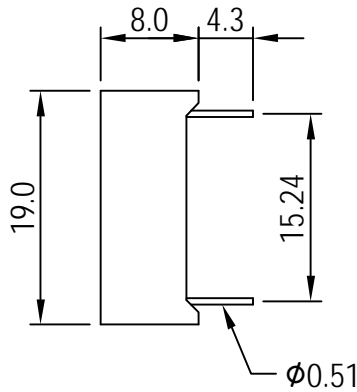
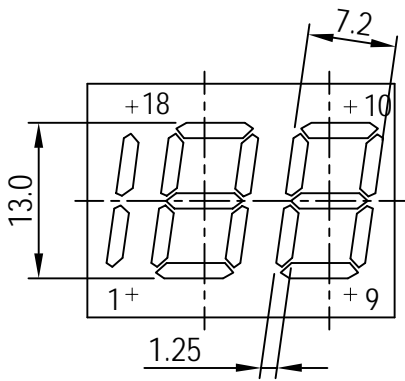


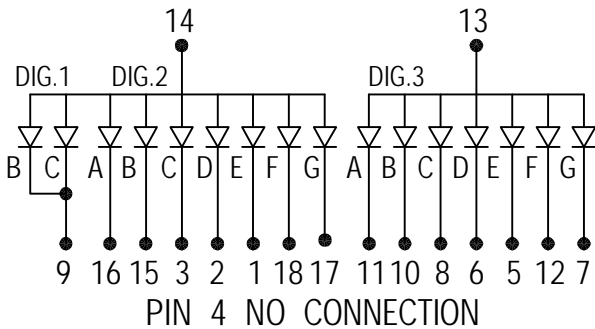
JOINSCAN LEDs

DD50A 0.5 INCH (13.0mm) 2.5 DIGITS 24.8 X 19.0 X 8.0mm

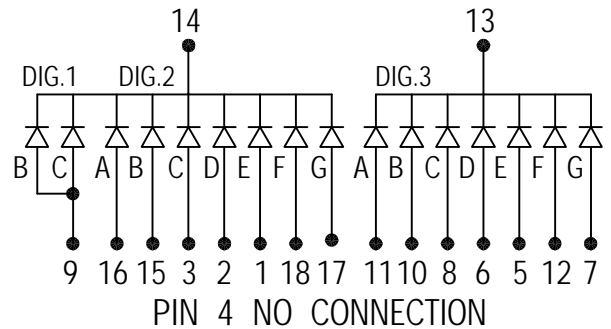


UNIT : mm
TOLERANCE : ±0.2mm

A. A5036 SERIES



B. C5036 SERIES



PIN FUNCTION	COMMON ANODE			COMMON CATHODE			WAVE LENGTH (nm)	IR MAX (uA) VR=5V	VF (V) IF=20mA	LUMINOUS INTENSITY IF=20mA
	A	C	E	B	D	F				
Emitting COLOR	model no.	model no.	model no.	model no.	model no.	model no.				
GaP RED	A5036H			C5036H			695	100	2.2	0.4mcd
GaAsP ORANGE RED	A5036O			C5036O			635	100	2.0	2.5mcd
GaP GREEN	A5036G			C5036G			570	100	2.2	4.5mcd
Gap Yellow	A5036Y			C5036Y			600	100	2.2	2.5mcd
GaAlAs SUPER RED	A5036RS			C5036RS			650	100	1.8	3.0mcd
GaAlAs ULTRA RED										
GaAlAs YELLOW GREEN										
Sic BLUE	A5036F			C5036F			430	100	3.6	2.5mcd
ZnSe WHITE										

Model No. -BW BLACK SURFACE WHITE SEGMENT
-BR BLACK SURFACE RED SEGMENT
-GW GRAY SURFACE WHITE SEGMENT

Remark :

1. Typical forward current 10-20mA , MAXimum forward current 25mA
2. Solder Temperature 1.6mm Below Seating plane less 5 seconds at 260°C +5°C -30°C
3. Peak Forward current Per Dice , Duty cycle 1/10 , 10KHZ , MAXimum 120mA
4. Operating Temperature From -25°C to 85°C
5. RoHS COMPLIANT

REV : B