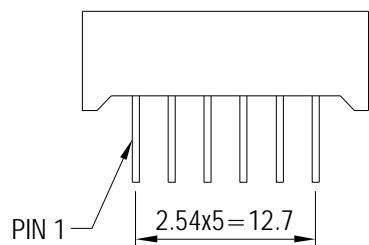
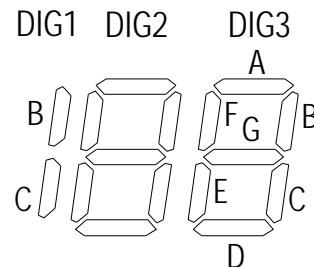
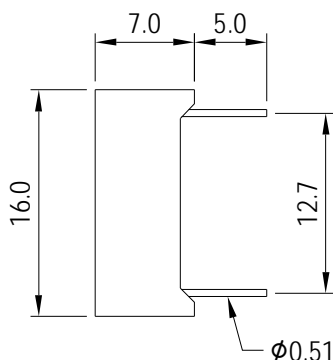
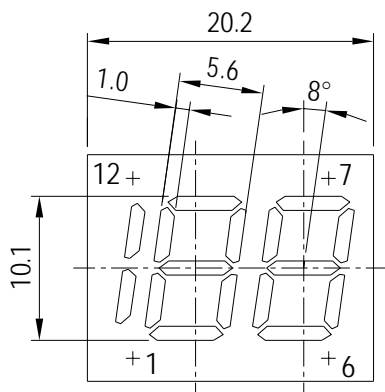
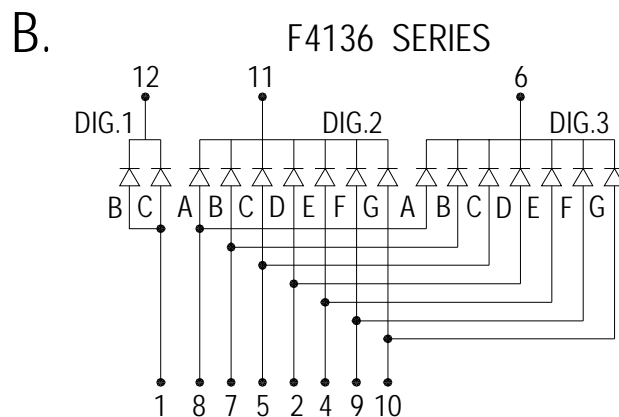
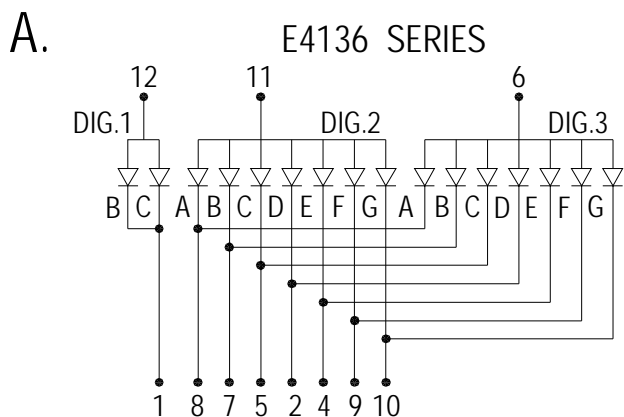


# JOINSCAN LEDs

DD40B 0.4 INCH (10.1mm) 2.5 DIGITS 20.2 X 16.0 X 7.0mm 12PINS



UNIT : mm  
TOLERANCE : ±0.2mm



PIN FUNCTION	COMMON ANODE			COMMON CATHODE			WAVE LENGTH (nm)	IR MAX (uA) VR=5V	VF (V) IF=20mA	LUMINOUS INTENSITY IF=20mA
	A	C	E	B	D	F				
GaP RED	E4136H			F4136H			695	100	2.2	0.4mcd
GaAsP ORANGE RED	E4136O			F4136O			635	100	2.0	2.5mcd
GaP GREEN	E4136G			F4136G			570	100	2.2	4.5mcd
Gap Yellow	E4136Y			F4136Y			600	100	2.2	2.5mcd
GaAlAs SUPER RED	E4136RS			F4136RS			650	100	1.8	3.0mcd
GaAlAs ULTRA RED										
GaAlAs YELLOW GREEN										
Sic BLUE	E4136F			F4136F			430	100	3.6	2.5mcd
ZnSe WHITE										

Model No. -BW BLACK SURFACE WHITE SEGMENT  
-BR BLACK SURFACE RED SEGMENT  
-GW GRAY SURFACE WHITE SEGMENT

Remark :

1. Typical forward current 10-20mA, MAXimum forward current 25mA
2. Solder Temperature 1.6mm Below Seating plane less 5 seconds at 260°C +5°C -30°C
3. Peak Forward current Per Dice, Duty cycle 1/10, 10KHZ, MAXimum 120mA
4. Operating Temperature From -25°C to 85°C
5. RoHS COMPLIANT

REV : B