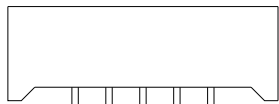
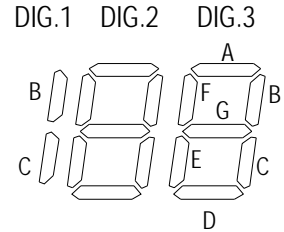
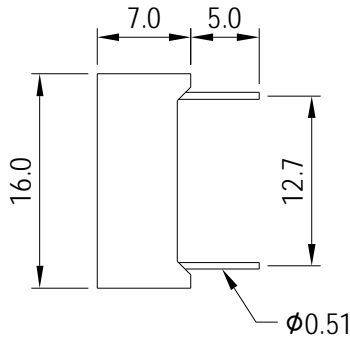
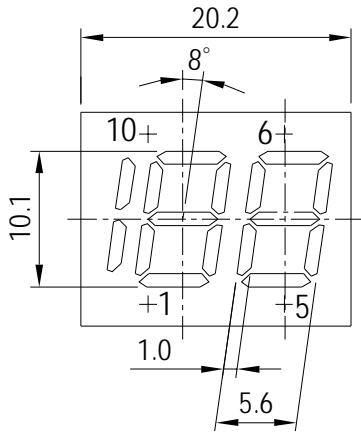


# JOINSCAN LEDs

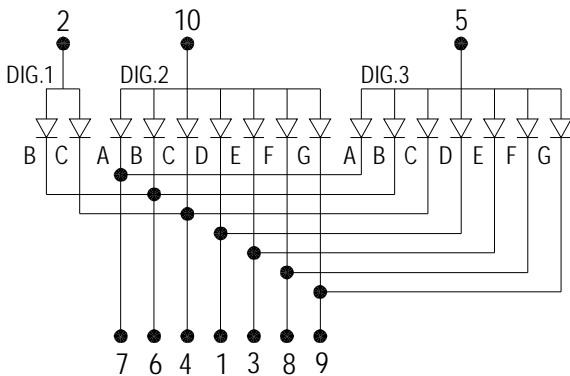
DD40A-1 0.4 INCH (10.1mm) 2.5 DIGITS 20.2 X 16.0 X 7.0mm 10PINS



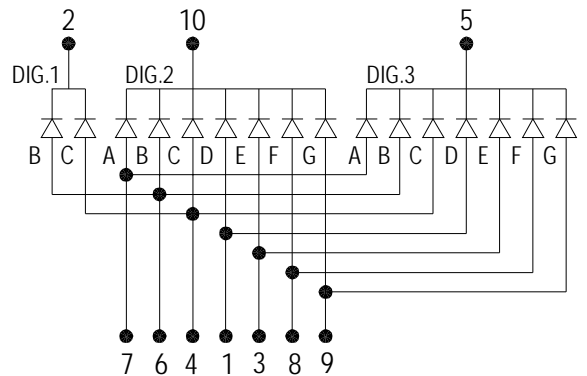
PIN 1 2.54X4=10.16

UNIT : mm  
TOLERANCE : ±0.2mm

## A. E4137 SERIES



## B. F4137 SERIES



PIN FUNCTION	COMMON ANODE			COMMON CATHODE			WAVE LENGTH (nm)	IR MAX (uA) VR=5V	VF (V) IF=20mA	LUMINOUS INTENSITY IF=20mA
	A	C	E	B	D	F				
Emitting COLOR	model no.	model no.	model no.	model no.	model no.	model no.				
GaP RED	E4137H			F4137H			695	100	2.2	0.4mcd
GaAsP ORANGE RED	E4137O			F4137O			635	100	2.0	2.5mcd
GaP GREEN	E4137G			F4137G			570	100	2.2	4.5mcd
Gap Yellow	E4137Y			F4137Y			600	100	2.2	2.5mcd
GaAlAs SUPER RED	E4137RS			F4137RS			650	100	1.8	3.0mcd
GaAlAs ULTRA RED										
GaAlAs YELLOW GREEN										
Sic BLUE	E4137F			F4137F			430	100	3.6	2.5mcd
ZnSe WHITE										

Model No. -BW BLACK SURFACE WHITE SEGMENT  
-BR BLACK SURFACE RED SEGMENT  
-GW GRAY SURFACE WHITE SEGMENT

### Remark :

1. Typical forward current 10-20mA, MAXimum forward current 25mA
2. Solder Temperature 1.6mm Below Seating plane less 5 seconds at 260°C +5°C -30°C
3. Peak Forward current Per Di ce · Duty cycle 1/10 · 10KHZ · MAXimum 120mA
4. Operating Temperature From -25°C to 85°C
5. RoHS COMPLIANT

REV : C