

# JOINSCAN LEDs

SMT08053 0805 (2.0 X 1.25 X 1.1mm) Mono-Color Surface Mount LED

Electro-optica Characteristics :

(Ta = 25°)

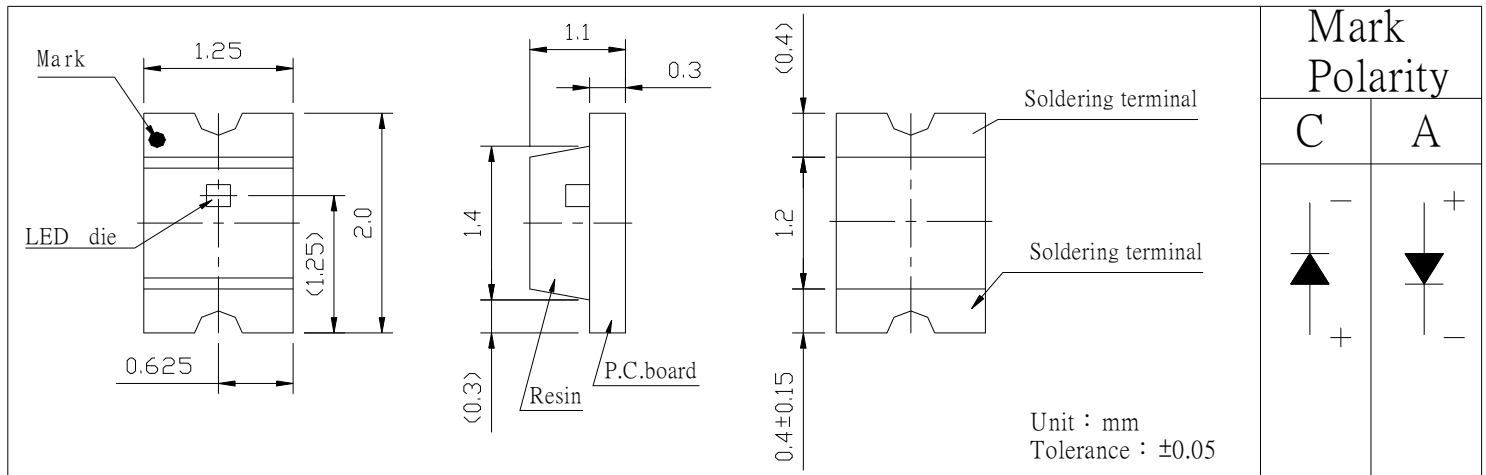
Absolute Maximum Ratings :  
(Ta = 25°)

MODEL NO.		Lighting color	V <sub>F</sub>			λ <sub>p</sub> typ (nm)	Δλ typ (nm)	I <sub>v</sub>			mark polarity
CLEAR LENS	DIFFUSION LENS		I <sub>F</sub> (mA)	typ (v)	max (v)			I <sub>F</sub> (mA)	min (mcd)	typ (mcd)	
		Super Bright Red	20	1.9	2.6	660	20	20	25.0	A	
		Green color	20	2.2	2.6	570	30	20	9.5	C	
		Yellow color	20	2.1	2.6	590	40	20	6.5	C	
		Blue color	20	3.4	4.0	430	40	20	5.0	C	
		Super Blue color	20	3.4	4.0	470	40	20	15.0	C	
		Super Yellow color	20	2.1	2.6	590	40	20	15.0	C	

Series	SMT0805 SERIES
Pd (mW)	50
I <sub>F</sub> (mA)	25
I <sub>FP</sub> (mA)	100*1
Pd (mW)	5
T <sub>op</sub> (°C)	-25~+80
T <sub>st</sub> (°C)	-30~+85

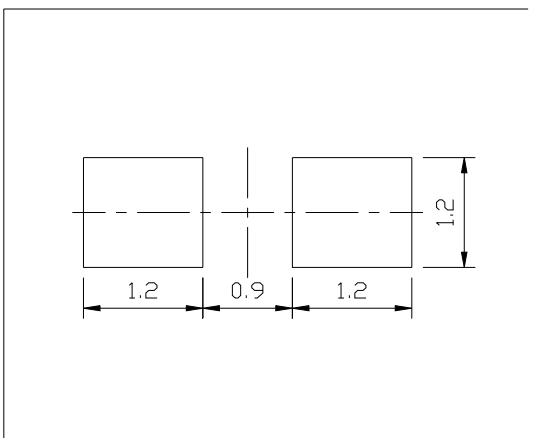
\*1 Condition for I<sub>FP</sub> is pulse of 1/10 duty and 0.1 msec width

Package Outline Drawing :



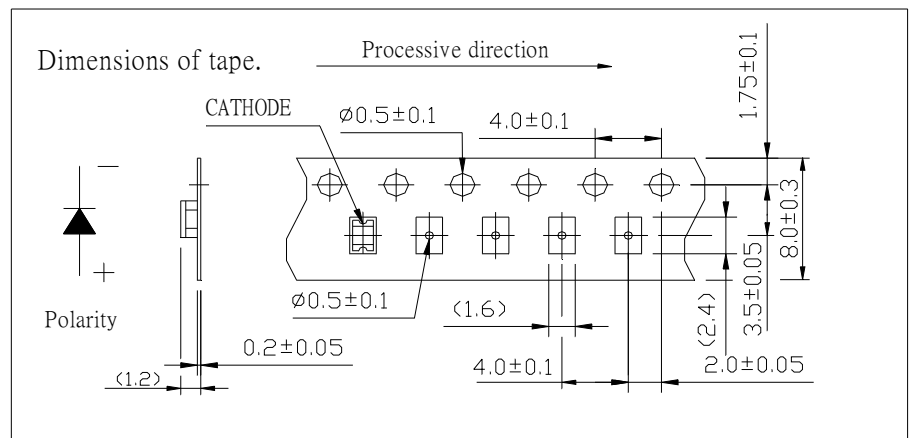
Dimensions : 2.0(L)X1.25(W)X1.1(H)mm.

Recommended Soldering Patten for reflow soldering



Tape Specifications :

Loaded quantity per reel : 3000 pcs/reel



Remark :

1. Typical forward current 10~20mA , MAXimum forward current 25mA
2. Solder Temperature less 5 seconds at 235° C
3. Peak Foward current Per Dice , Duty cycle 1/10 , 10KHZ , MAXimum 120mA
4. Operating Temperature From -25° C to 85° C
5. Blue color , pure green color and white color chip are static sensitive devices

Amended Date :  
2003/MAY/10/20 : 05  
A