

JOINSCAN LEDs

SMT08052 0805 (2.0 X 1.25 X 1.0mm) Mono-Color Surface Mount LED

Electro-optica Characteristics :

(Ta = 25°)

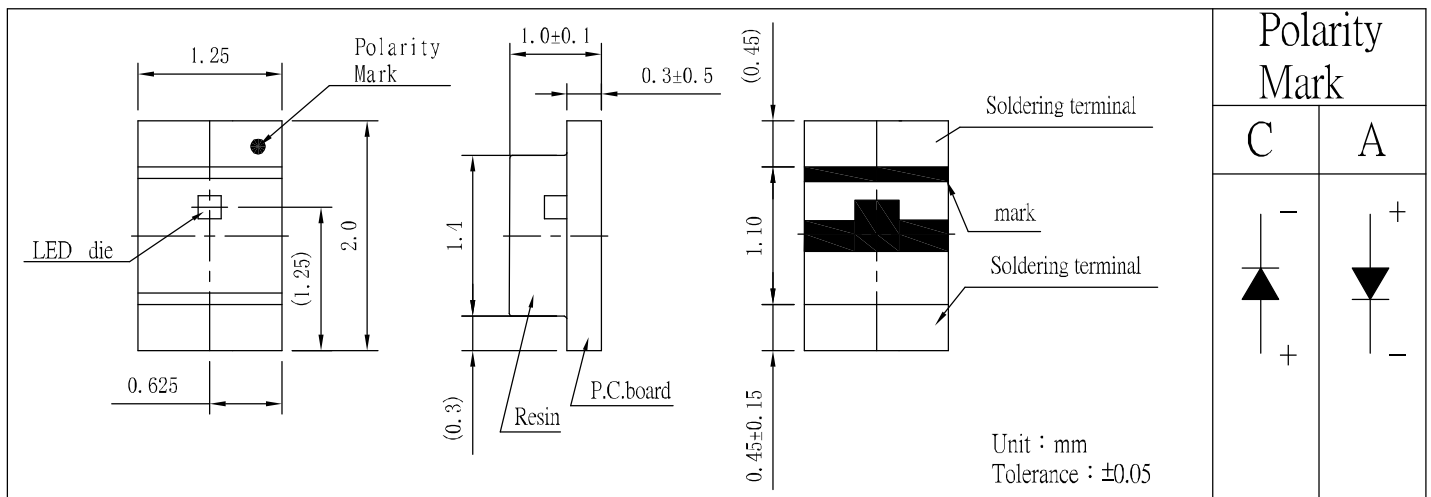
MODEL NO.		Lighting color	V _F			λ _p typ (nm)	Δλ typ (nm)	I _v			polarity mark
CLEAR LENS	DIFFUSION LENS		I _F (mA)	typ (v)	max (v)			I _F (mA)	min (mcd)	typ (mcd)	
		Super Bright Red	20	2.1	2.6	660	20	20	30	A	
		Green color	20	2.2	2.6	570	30	20	9.5	C	
		Yellow color	20	2.1	2.6	590	40	20	6.5	C	
		Blue color	5	3.4	4.0	430	40	20	5.0	C	
		Amber	20	2.1	2.6	610	35	20	10	C	
		Super Blue color	5	3.4	4.0	470	40	20	15.0	C	
		Super Orange Red Color	20	2.1	2.6	630	20	20	63	C	
		Super Yellow Green color	20	2.1	2.6	570	40	20	18.5	C	
		Super Yellow color	20	2.0	2.6	590	15	20	63	C	

Absolute Maximum Ratings :
(Ta = 25°)

Series	SMT0805 SERIES
Pd (mW)	50
I _F (mA)	25
I _{FP} (mA)	100*1
Pd (mW)	5
T _{op} (°C)	-25~+80
T _{st} (°C)	-30~+85

*1 Condition for I_{FP} is pulse of 1/10 duty and 0.1 msec width

Package Outline Drawing :

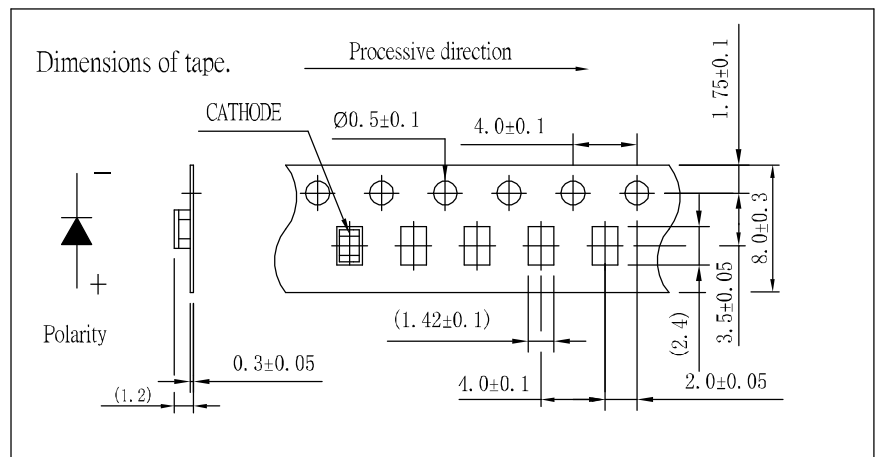
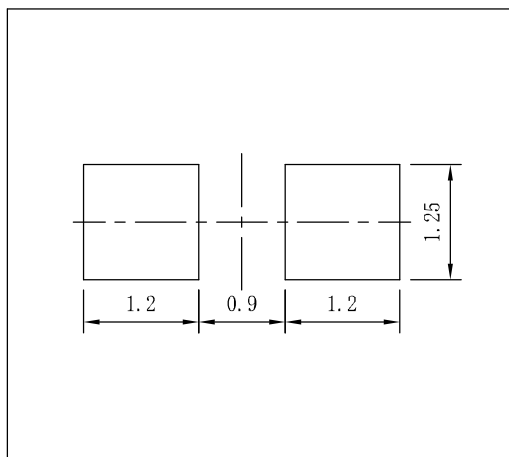


Dimensions : 2.0(L)X1.25(W)X1.0(H)mm.

Recommended Soldering Patten
for reflow soldering

Tape Specifications :

Loaded quantity per reel : 3000 pcs/reel



Remark :

1. Typical forward current 10~20mA , MAXimum forward current 25mA
2. Solder Temperature less 5 seconds at 235°C
3. Peak Foward current Per Dice , Duty cycle 1/10 , 10KHZ , MAXimum 120mA
4. Operating Temperature From -25°C to 85°C
5. Blue color , pure green color and white color chip are static sensitive devices

Rev : B