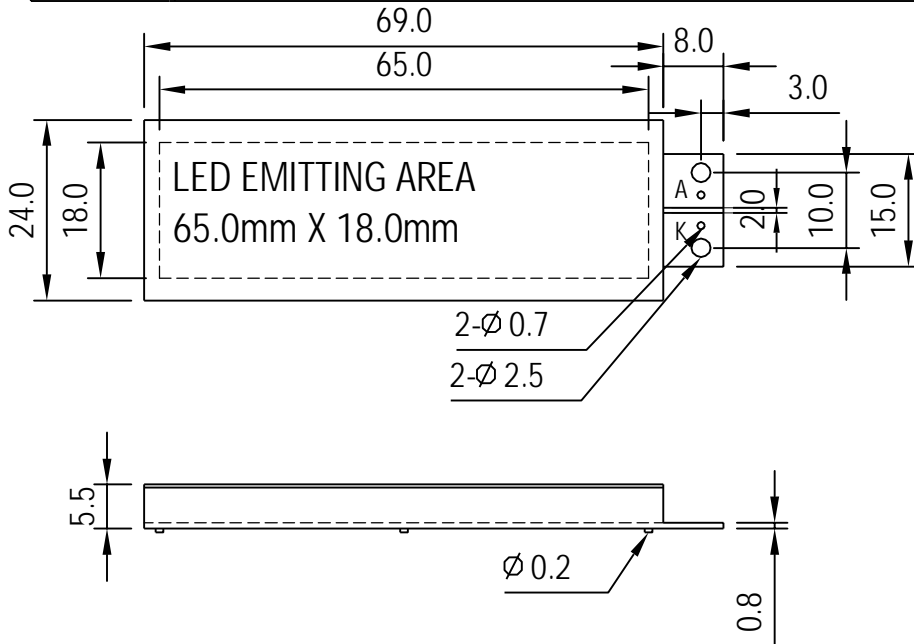
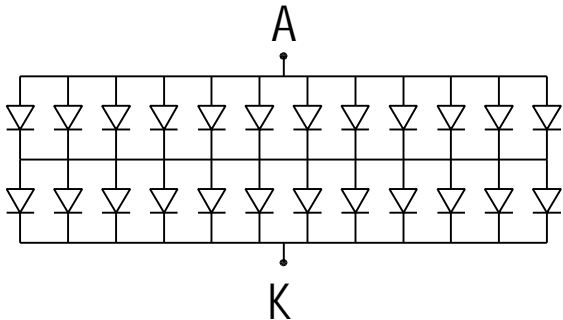


JOINSCAN LEDs

BL6924 69.0X24.0mm BACKLIGHT BOTTOM LIGHTING TYPE (24 LED CHIPS)



BL6924 SERIES



UNIT : mm

TOLERANCE : ± 0.2mm

BL6924 SERIES							
EMITTING COLOR	RED	GREEN	YELLOW	BLUE			
MODEL NO.	BL6924RS	BL6924GS	BL6924SY	BL6924SF			
DICE	GaALAs	Gap	AlGalnP	SIC			
ABSOLUTE MAXIMUM RATINGS TA = 25°C							
PARAMETER	SYMBOL	RATING				UNIT	
		RED	GREEN	YELLOW	BLUE		
POWER DISSIPATION	P AD	0.84	1.056	0.96	0.65	W	
CONTINUOUS FORWARD CURRENT	I AF	300	240	180	180	mA	
REVERSE VOLTAGE	V R	8.0	8.0	8.0	8.0	V	
OPERATING TEMPERATURE	T OPR	-10°C TO +160°C					
STORAGE TEMPERATURE	T STG	-20°C TO +70°C					
ELECTRO-OPTICAL CHARACTERISTICS TA = 25°C							
PARAMETER	SYMBOL	CONDITION	TYP				UNIT
			RED	GREEN	YELLOW	BLUE	
FORWARD VOLTAGE	V F	I F=120 mA	3.5	4.4	4.0	7.2	V
LUMINOUS INTENSITY (SURFACE)	I V	I F=120 mA	2.5 / 240	2.8 / 240	2.8 / 240	2.8 / 240	mcd / LUX
PEAK EMISSION WAVELENGTH	λ P	I F=120 mA	655	573	590	465± 5	nm
REVERSE CURRENT	I R	V R= 8 V	MAX 0.6	MAX 0.6	MAX 0.6	MAX 0.6	mA

RoHS COMPLIANCE

REV:B