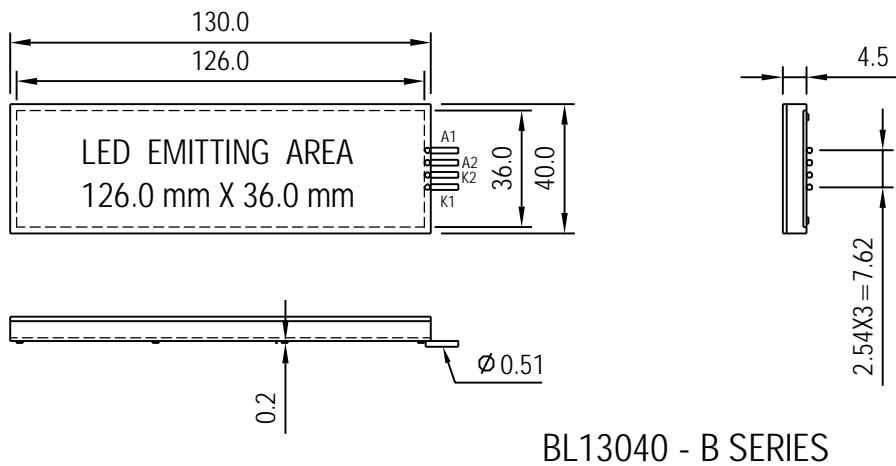
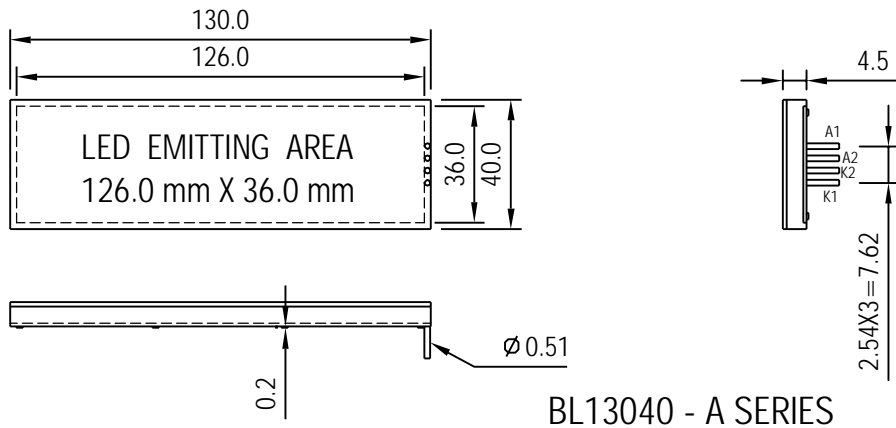
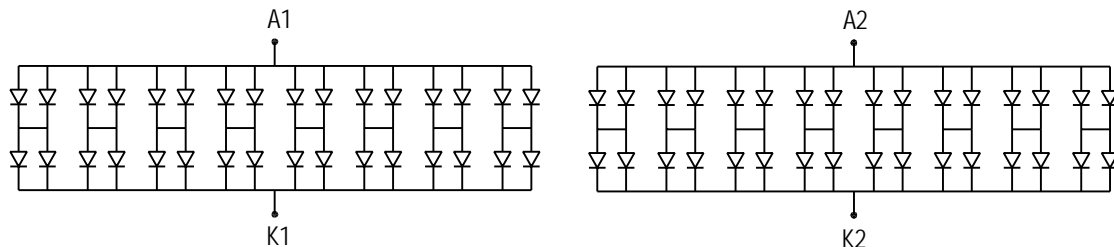


# JOINSKAN LEDs

BL13040 130.0X40.0mm BACKLIGHT BOTTOM LIGHTING TYPE (64 LED CHIPS)



UNIT : mm  
TOLERANCE : ±0.2mm



BL13040 - A / B SERIES						
EMITTING COLOR		RED	YELLOW	GREEN		
MODEL NO.		BL13040 RS - A / B	BL13040 SY - A / B	BL13040 UG - A / B		
DICE		GaAlAs	AlGalnP	AlGalnP		
ABSOLUTE MAXIMUM RATINGS TA = 25°C						
PARAMETER	SYMBOL	RATING			UNIT	
		RED	YELLOW	GREEN		
POWER DISSIPATION	P AD	1.68	2.16	2.21	W	
CONTINUOUS FORWARD CURRENT	I AF	480	480	480	mA	
REVERSE VOLTAGE	V R	8.0	8.0	8.0	V	
OPERATING TEMPERATURE	T OPR	-10°C TO +160°C				
STORAGE TEMPERATURE	T STG	-20°C TO +70°C				
ELECTRO - OPTICAL CHARACTERISTICS TA = 25°C						
PARAMETER	SYMBOL	CONDITION	TYP			UNIT
			RED	YELLOW	GREEN	
FORWARD VOLTAGE	V F	I F = 120 mA	3.5	4.1	4.2	V
LUMINOUS INTENSITY (SURFACE)	I V	I F = 120 mA	400	400	800	cd / m <sup>2</sup>
PEAK EMISSION WAVELENGTH	λ P	I F = 120 mA	655	590	570	nm
REVERSE CURRENT	I R	V R = 8 V	MAX 0.6	MAX 0.2	MAX 0.2	mA

RoHS COMPLIANCE

REV:B