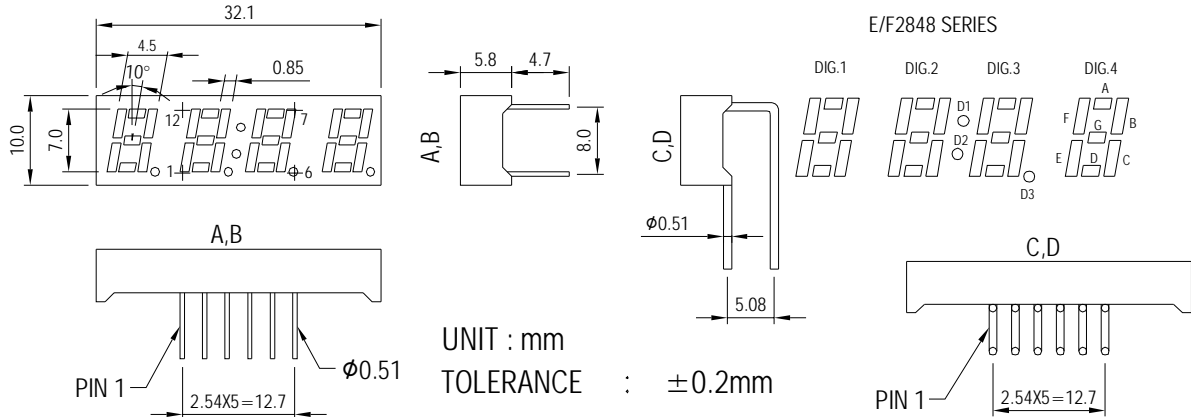


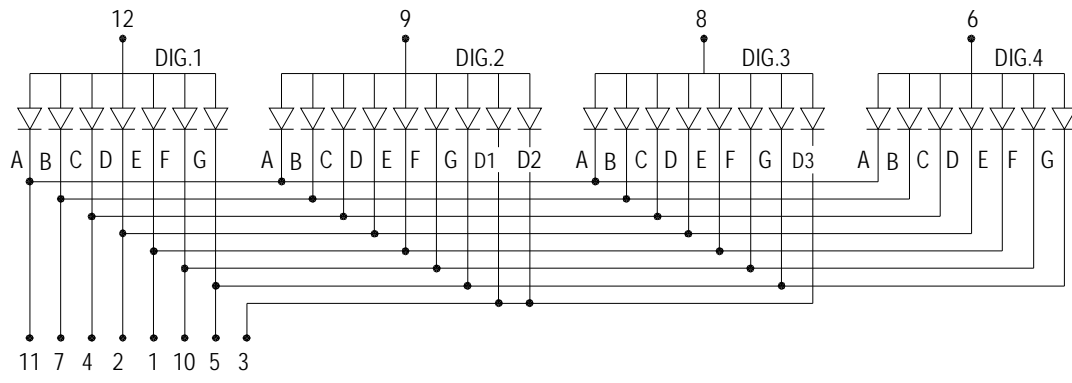
# JOINSCAN LEDs

F.28A-1 0.28 INCH ( 7.0mm ) QUAD DIGIT 32.1 X 10.0 X 5.8mm



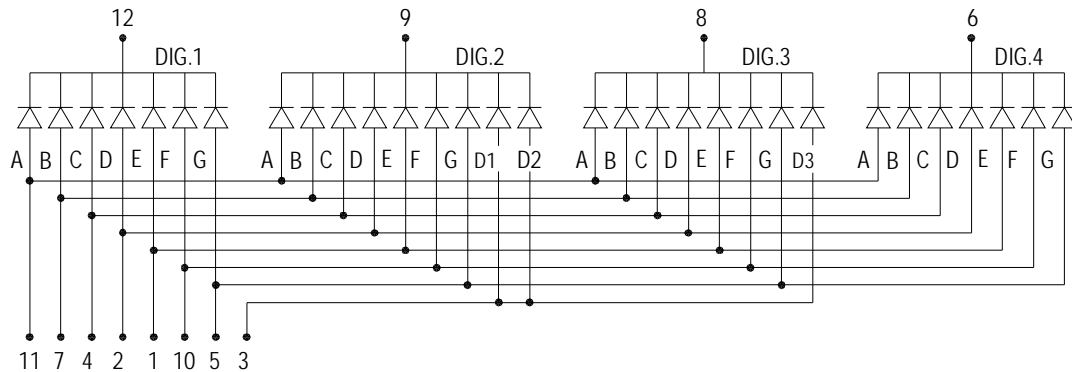
A,C

E2848 SERIES



B,D

F2848 SERIES



PIN	FUNCTION	COMMON ANODE		COMMON CATHODE		WAVE LENGTH (nm)	IR MAX (uA)	VF (V)	LUMINOUS INTENSITY
		A	C	B	D				
Emitting	COLOR	model no.	model no.	model no.	model no.	(nm)	VR=5V	IF=20mA	IF=20mA
	RED	E2848H	E2848H-L2	F2848H	F2848H-L2	695	100	2.2	0.6mcd
	ORANGE RED	E2848O	E2848O-L2	F2848O	F2848O-L2	635	100	2.0	4.0mcd
	GREEN	E2848G	E2848G-L2	F2848G	F2848G-L2	570	100	2.2	4.5mcd
	Yellow	E2848Y	E2848Y-L2	F2848Y	F2848Y-L2	600	100	2.2	4.0mcd
	SUPER RED	E2848RS	E2848RS-L2	F2848RS	F2848RS-L2	650	100	1.8	8.0mcd
	ULTRA RED								
	YELLOW GREEN								
	BLUE	E2848SF	E2848SF-L2	F2848SF	F2848SF-L2	465±5	100	3.6	10mcd
	WHITE								

Model No. -BW BLACK SURFACE WHITE SEGMENT  
 -BR BLACK SURFACE RED SEGMENT  
 -GW GRAY SURFACE WHITE SEGMENT

Remark :

1. Typical forward current 10-20mA, MAXimum forward current 25mA
2. Solder Temperature 1.6mm Below Seating plane less 5 seconds at 260°C +5°C -30°C
3. Peak Foward current Per Dice, Duty cycle 1/10, 10KHZ, MAXimum 120mA
4. Operating Temperature From -25°C to 85°C
5. RoHS COMPLIANT

REV : B