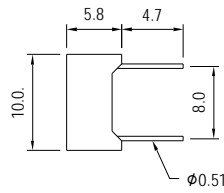
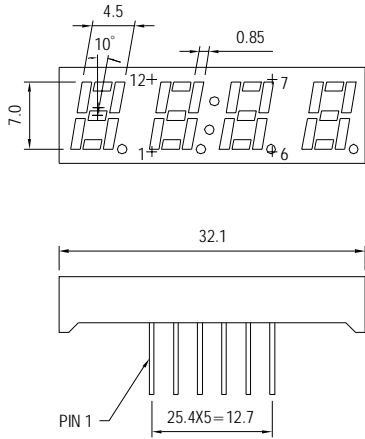
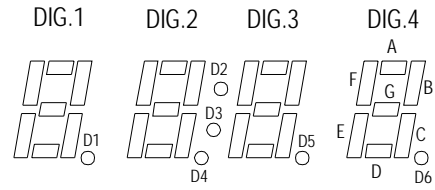


# JOINSCAN LEDs

F.28A 0.28 INCH ( 7.0mm ) QUAD DIGIT 32.1 X 10.0 X 5.8mm



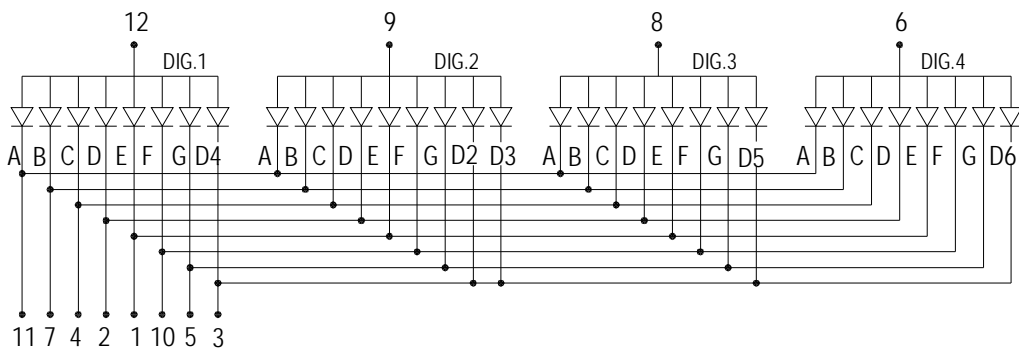
A,B TYPE  
E / F2846 SERIES



UNIT : mm  
TOLERANCE : ±0.2mm

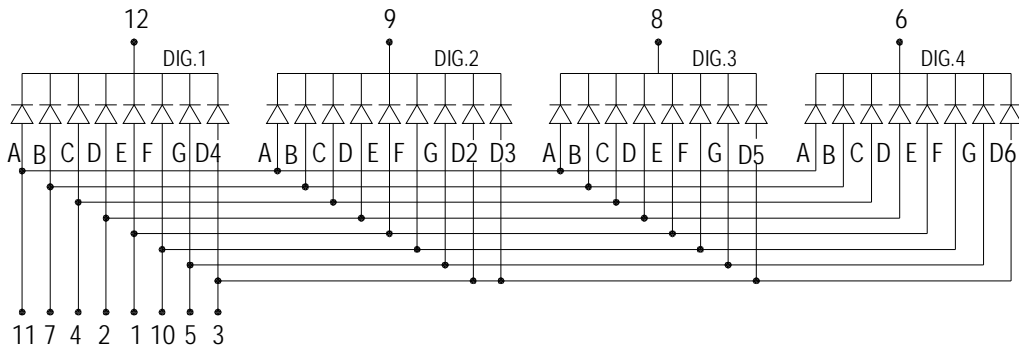
A.

E2846 SERIES



B.

F2846 SERIES



PIN	FUNCTION	COMMON ANODE		COMMON CATHODE		WAVE LENGTH (nm)	IR MAX (uA)	VF (V)	LUMINOUS INTENSITY
		A	C	B	D				
	Emitting COLOR	model no.	model no.	model no.	model no.		VR=5V	IF=20mA	IF=20mA
	GaP RED	E2846H		F2846H		695	100	2.2	0.6mcd
	GaAsP ORANGE RED	E2846O		F2846O		635	100	2.0	4.0mcd
	GaP GREEN	E2846G		F2846G		570	100	2.2	4.5mcd
	GaP Yellow	E2846Y		F2846Y		600	100	2.2	4.0mcd
	GaAlAs SUPER RED	E2846RS		F2846RS		650	100	1.8	8.0mcd
	GaAlAs ULTRA RED								
	GaAlAs YELLOW GREEN								
	Sic BLUE	E2846SF		F2846SF		465±5	100	3.6	10mcd
	ZnSe WHITE								

Model No. -BW BLACK SURFACE WHITE SEGMENT  
-BR BLACK SURFACE RED SEGMENT  
-GW GRAY SURFACE WHITE SEGMENT

Remark :

1. Typical forward current 10-20mA , MAXimum forward current 25mA
2. Solder Temperature 1.6mm Below Seating plane less 5 seconds at 260°C +5°C -30°C
3. Peak Foward current Per Dice , Duty cycle 1/10 , 10KHZ , MAXimum 120mA
4. Operating Temperature From -25°C to 85°C
5. RoHS COMPLIANT

REV : B