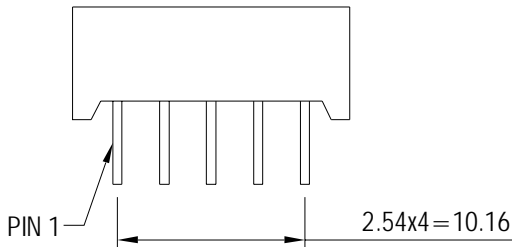
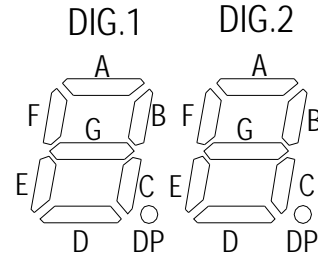
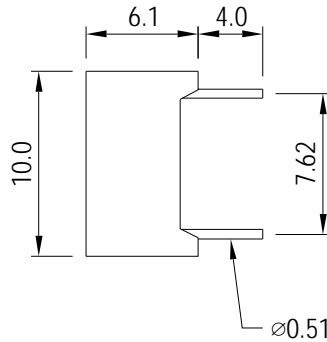
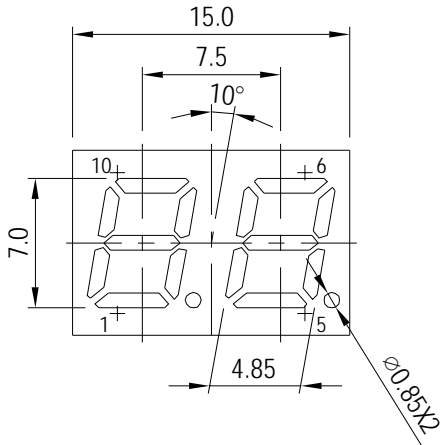


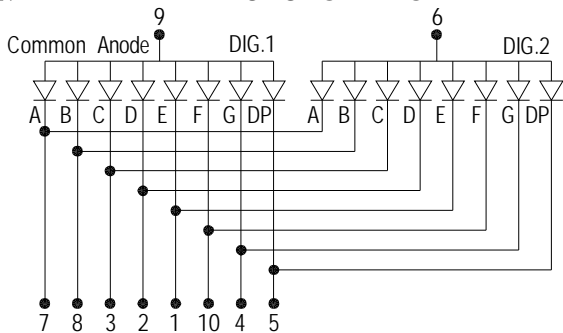
JOINSCAN LEDs

D.28A 0.28 INCH (7.0mm) DUAL DIGIT PIN PITCH 2.54mm 15.0 X 10.0 X 6.1mm

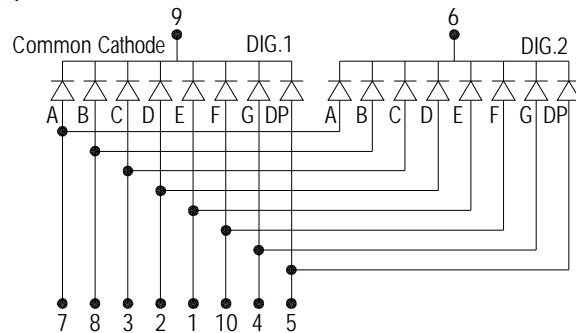


UNIT : mm
TOLERANCE : ±0.2mm

A. E2828 SERIES



B. F2828 SERIES



PIN FUNCTION	COMMON ANODE			COMMON CATHODE			WAVE LENGTH (nm)	IR MAX (uA) VR=5V	VF (V) IF=20mA	LUMINOUS INTENSITY IF=10mA
	A	C	E	B	D	F				
Emitting COLOR	model no.	model no.	model no.	model no.	model no.	model no.				
GaP RED	E2828H			F2828H			695	100	2.2	0.6mcd
GaAsP ORANGE RED	E2828O			F2828O			635	100	2.0	2.5mcd
GaP GREEN	E2828G			F2828G			570	100	2.2	3.5mcd
Gap Yellow	E2828Y			F2828Y			600	100	2.2	3.5mcd
GaAlAs SUPER RED	E2828RS			F2828RS			650	100	1.8	3.3mcd
GaAlInP ULTRA GREEN	E2828UG			F2828UG			573	100	2.2	15mcd
GaN PURE GREEN	E2828GP			F2828GP			525	100	3.6	30mcd
Sic BLUE	E2828SF			F2828SF			465±5	100	3.6	30mcd

Model No. -BW Black Surface White Segment
-BR Black Surface Red Segment
-GW Gray Surface White Segment

Remark :

1. Typical forward current 10-20mA, MAXimum forward current 25mA
2. Solder Temperature 1.6mm Below Seating plane less 5 seconds at 260 °C +5 °C -30 °C
3. Peak Forward current Per Dice, Duty cycle 1/10, 1KHZ, MAXimum 120mA
4. Operating Temperature From -40 °C to 80 °C
5. RoHS Compliance

REV : C